

population movement summary

calendar year, 1978



DIVISION OF RESEARCH
Information Systems Section

State of California
DEPARTMENT OF THE YOUTH AUTHORITY

548741

State of California

EDMUND G. BROWN JR.
GOVERNOR

Health and Welfare Agency

MARIO OBLEDO
SECRETARY



Department of the

Youth Authority

KEITH S. GRIFFITHS
Chief of Research

GEORGE F. DAVIS
Supervisor, Information Systems

PEGGY WADE
Research Analyst II

HARMON L. ORSBORN
Research Analyst I

Patricia Vitt
Office Technician

LDA

PEARL S. WEST,
DIRECTOR

CHARLES A. KUHL,
CHIEF DEPUTY DIRECTOR

JAMES C. BARNETT,
DEPUTY DIRECTOR
PREVENTION AND COMMUNITY
CORRECTIONS BRANCH

CHON GUTIERREZ
DEPUTY DIRECTOR
MANAGEMENT SERVICES BRANCH

RUTH E. KRANOVICH,
DEPUTY DIRECTOR
PAROLE SERVICES BRANCH

FREDERICK F. MILLS,
DEPUTY DIRECTOR
PLANNING, RESEARCH, EVALUATION
AND DEVELOPMENT BRANCH

GEORGE R. ROBERTS,
DEPUTY DIRECTOR
INSTITUTIONS AND CAMPS BRANCH

POPULATION HIGHLIGHTS

Total Youth Authority population as of the end of the 1978 calendar year was 11,686 wards, a decrease of 3 percent from the 12,020 wards under jurisdiction at the beginning of the year. Wards in institutions, as of the end of the year, totaled 4,741---un considerably from the 4,095 at the beginning of the year. Wards on parole, in contrast, decreased from 7,704 at the beginning of the year to 6,700 at the end of the year.

There were 3,775 first admissions to Youth Authority institutions during 1978, an increase of approximately 4 percent over the 3,626 wards admitted in the previous year. Juvenile court commitments contributed 58 percent of the total as compared to 55 percent in the previous year.

The number of parole violators returned to Youth Authority institutions in 1978 was 1,142, a slight rise from the 1,111 wards returned in 1977. The number of releases to parole decreased by 10 percent from 4,340 in 1977 to 3,926 in 1978. The decrease in parole releases during 1978 is the result of an increasing institutional length of stay.

The institutional length of stay for 1978 was 11.3 months, up from 10.9 months in 1977. Parole length of stay increased during 1978 to just over 20 months, as compared to 19.2 months in 1977.

The commitment rate per 100,000 youth population climbed slightly between 1977 and 1978---from 86 to 90 commitments per capita. More noticeable was the increase in the commitment rate for juvenile court males and the decrease for criminal court males.

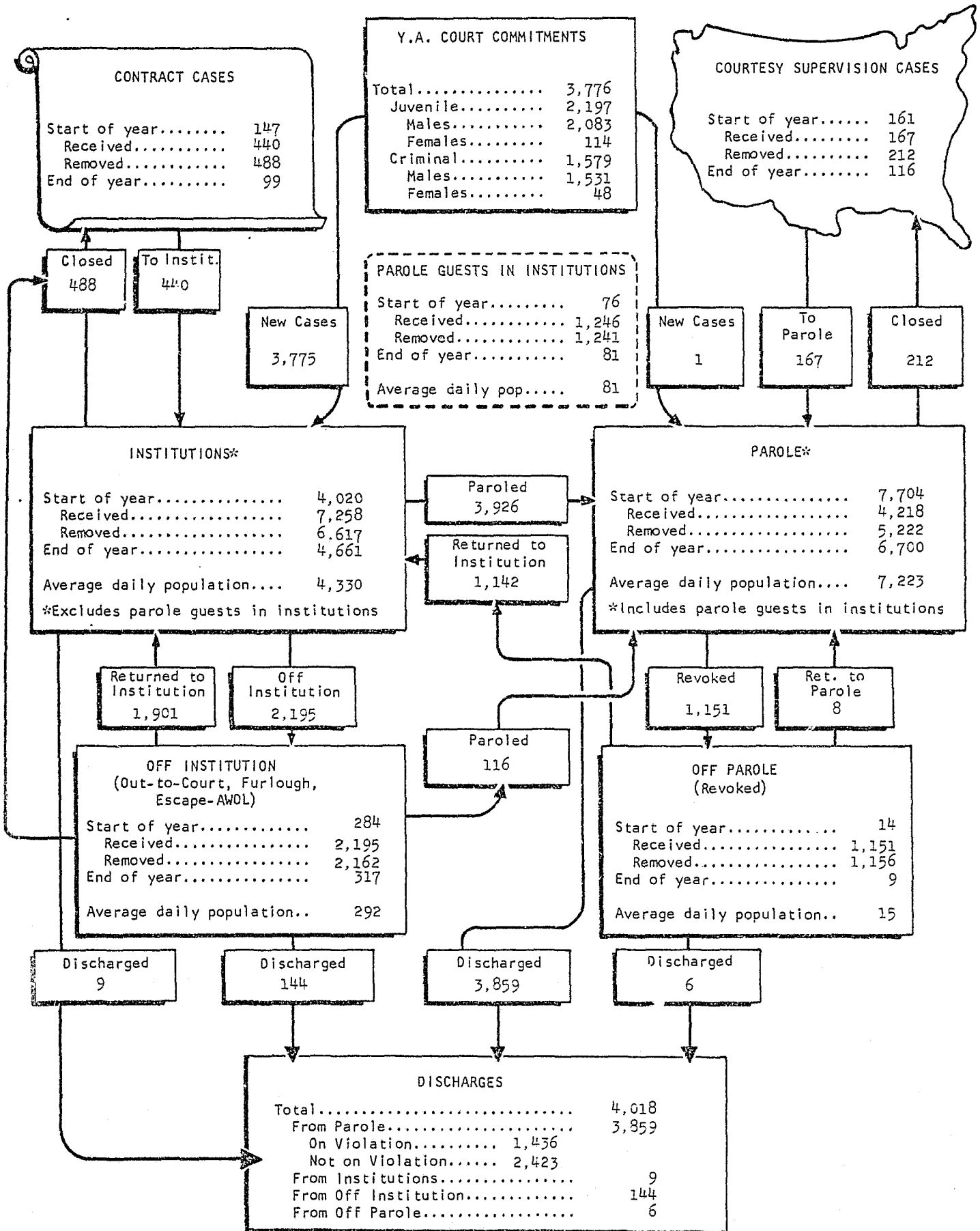
NCJRS

FEB 27 1979

ACQUISITIONS

YOUTH AUTHORITY POPULATION MOVEMENT

CALENDAR YEAR 1978



CONTRACT CASES

Start of year.....	147
Received.....	440
Removed.....	488
End of year.....	99

Y.A. COURT COMMITMENTS

Total.....	3,776
Juvenile.....	2,197
Males.....	2,083
Females.....	114
Criminal.....	1,579
Males.....	1,531
Females.....	48

COURTESY SUPERVISION CASES

Start of year.....	161
Received.....	167
Removed.....	212
End of year.....	116

PAROLE GUESTS IN INSTITUTIONS

Start of year.....	76
Received.....	1,246
Removed.....	1,241
End of year.....	81
Average daily pop.....	81

Closed
488

To Instit.
440

New Cases
3,775

New Cases
1

To Parole
167

Closed
212

INSTITUTIONS*

Start of year.....	4,020
Received.....	7,258
Removed.....	6,617
End of year.....	4,661

Average daily population.... 4,330

*Excludes parole guests in institutions

PAROLE*

Start of year.....	7,704
Received.....	4,218
Removed.....	5,222
End of year.....	6,700

Average daily population.... 7,223

*Includes parole guests in institutions

Returned to
Institution
1,901

Off
Institution
2,195

Paroled
3,926

Returned to
Institution
1,142

Paroled
116

Revoked
1,151

Ret. to
Parole
8

OFF INSTITUTION (Out-to-Court, Furlough, Escape-AWDL)

Start of year.....	284
Received.....	2,195
Removed.....	2,162
End of year.....	317

Average daily population.. 292

OFF PAROLE (Revoked)

Start of year.....	14
Received.....	1,151
Removed.....	1,156
End of year.....	9

Average daily population.. 15

Discharged
9

Discharged
144

Discharged
3,859

Discharged
6

DISCHARGES

Total.....	4,018
From Parole.....	3,859
On Violation.....	1,436
Not on Violation.....	2,423
From Institutions.....	9
From Off Institution.....	144
From Off Parole.....	6

TABLE I
WARDS UNDER COMMITMENT TO THE CALIFORNIA YOUTH AUTHORITY
CALENDAR YEAR 1978

WARDS UNDER COMMITMENT	Total start of year	RECEIVED		REMOVED		Total end of year	Percent change
		Admissions	Transfers	Departures	Transfers		
GRAND TOTAL ^a	12,020	15,218	9,753	15,552	9,753	11,686	-2.8
In Institutions.....	4,095	8,650	7,775	8,004	7,775	4,741	+15.8
Youth Authority.....	4,085	8,641	7,663	7,946	7,736	4,707	+15.2
Dept. of Corrections....	10	9	112	58	39	34	+240.0
Off Institution.....	283	2,445	-	2,411	-	317	+12.0
Co. jail/out to court...	77	939	-	900	-	116	+50.6
Dept. of Health.....	57	108	-	102	-	63	+10.5
Furlough.....	27	1,018	-	1,033	-	12	-55.6
Escape.....	104	315	-	304	-	115	+10.6
Other.....	18	65	-	72	-	11	-38.9
On Parole.....	7,704	4,218	1,978	5,222	1,978	6,700	-13.0
Off Parole ^b	14	1,151	-	1,156	-	9	-35.7
SPECIAL INSTITUTIONAL CASES ^c							
County Referral.....	82	379	-	420	-	41	-50.0
Contract.....	65	61	-	68	-	58	-10.8
Parole Detention.....	76	1,246	-	1,241	-	81	+6.6

^aExcludes parole detention in institutions

^bRevoked - awaiting delivery

^cIncluded in above institutional totals

TABLE II
 COMPARATIVE POPULATION MOVEMENTS OF YOUTH AUTHORITY WARDS
 CALENDAR YEARS 1977 AND 1978

REFERRALS ACCEPTED	1977	1978	PERCENT CHANGE
TOTAL.....	4,668	4,774	+2.3
Males.....	4,461	4,583	+2.7
Females.....	207	191	-7.7
INITIAL.....	3,718	3,830	+3.0
Juvenile court.....	2,077	2,226	+7.2
Criminal court.....	1,641	1,604	-2.3
ADDITIONAL.....	950	944	-0.6
Juvenile court.....	376	394	+4.8
Criminal court.....	574	550	-4.2
INSTITUTION MOVEMENTS			
FIRST ADMISSIONS.....	3,626	3,775	+4.1
Juvenile court.....	2,013	2,196	+9.1
Males.....	1,904	2,082	+9.3
Females.....	109	114	+4.6
Criminal court.....	1,613	1,579	-2.1
Males.....	1,553	1,531	-1.4
Females.....	60	48	-20.0
PAROLE VIOLATOR RETURNS.....	1,111	1,142	+2.8
Males.....	1,070	1,106	+3.4
Females.....	41	36	-12.2
RELEASES TO PAROLE.....	4,340	3,926	-9.5
Males.....	4,140	3,754	-9.3
Females.....	200	172	-14.0

TABLE III
INSTITUTIONAL ADMISSIONS AND DEPARTURES OF YOUTH AUTHORITY WARDS
CALENDAR YEAR 1978

INSTITUTION	Pop. start of month	ADMISSIONS						DEPARTURES						Pop. end of month
		Total	First Admissions	RETURNS		Transfers	Other*	Total	PAROLE		Transfers	Escape	Other*	
				Parole	Escape				Calif. supv.	O.S. supv.				
Total	4,095	16,425	3,775	1,142	106	7,775	3,627	15,779	3,818	108	7,775	298	3,780	4,741
Males	3,921	15,905	3,613	1,106	106	7,581	3,499	15,274	3,654	100	7,581	296	3,643	4,552
Females	174	520	162	36	0	194	128	505	164	8	194	2	137	189
CYA Institutions	4,085	16,304	3,775	1,140	106	7,663	3,620	15,682	3,795	107	7,735	298	3,746	4,707
Males	3,911	15,785	3,613	1,104	106	7,470	3,492	15,178	3,632	99	7,542	296	3,609	4,518
Females	174	519	162	36	0	193	128	504	163	8	194	2	137	189
Reception Centers	703	7,804	3,774	983	29	806	2,212	7,772	229	10	5,323	19	2,191	735
NRCC - Males	237	3,032	1,482	357	11	379	803	3,014	91	5	2,184	6	728	255
NRCC - Females	26	51	18	5	0	7	21	61	29	3	12	0	17	16
SRCC - Males	321	3,484	1,600	438	18	366	1,062	3,471	78	0	2,284	13	1,096	334
SRCC - Females	-	-	-	-	-	-	-	-	-	-	-	-	-	-
VRCC - Males	25	330	184	54	0	18	74	318	1	0	237	0	80	37
VRCC - Females	33	253	144	26	0	18	65	255	29	2	155	0	69	31
YTSC - Males	61	654	346	103	0	18	187	653	1	0	451	0	201	62
Schools & Camps	3,382	8,500	1	157	77	6,857	1,408	7,910	3,566	97	2,413	279	1,555	3,972
Males	3,267	8,285	1	152	77	6,689	1,366	7,722	3,461	94	2,386	277	1,504	3,830
Females	115	215	0	5	0	168	42	188	105	3	27	2	51	142
Nelles	345	534	0	0	2	467	65	473	300	6	77	5	85	406
Close	323	634	0	4	2	551	77	602	401	10	108	5	78	355
El Paso de Robles	356	681	0	2	5	590	84	623	374	13	172	10	54	414
Holton	346	687	0	16	4	581	86	633	352	13	163	22	83	400
Nelson	274	673	0	21	16	535	101	607	289	12	191	28	87	340
Preston	377	1,383	0	12	18	1,147	206	1,349	299	7	836	24	183	411
Youth Training School	754	1,612	1	72	17	1,324	198	1,478	811	15	405	20	227	888
Ventura - Males	190	372	0	2	5	329	36	305	158	10	79	10	48	257
Ventura - Females	114	195	0	5	0	159	31	167	102	3	23	0	39	142
SPACE - Males	10	543	0	1	2	129	411	537	56	0	47	23	411	16
SPACE - Females	1	18	0	0	0	7	11	19	3	0	2	2	12	0
Ben Lomond	57	252	0	7	0	221	24	237	92	2	37	29	77	72
Mt. Bullion	61	220	0	3	0	180	37	216	79	0	36	21	80	65
Oak Glen	66	219	0	7	4	198	10	215	82	0	89	33	11	70
Pine Grove	55	245	0	4	2	227	12	231	88	3	104	22	14	69
Washington Ridge	53	230	0	1	0	210	19	216	80	3	42	25	66	67
C.D.C. Institutions	10	121	0	2	0	112	7	97	23	1	39	0	34	34
DVI Males	8	46	0	0	0	46	0	39	9	1	12	0	17	15
Other Males	2	73	0	2	0	64	7	57	13	0	27	0	17	18
Other Females	0	1	0	0	0	1	0	1	1	0	0	0	0	0

*Includes furlough, out-of-court, guest, and discharge at departure.

TABLE IV
SUMMARY OF PAROLE CASELOAD MOVEMENTS
CALENDAR YEARS 1977 AND 1978

	1977	1978	PERCENT CHANGE
I TOTAL PAROLES, beginning of year.....	7,659	7,704	+0.6
Received on parole.....	4,760	4,218	-11.4
Released from institutions.....	4,340	3,926	-9.5
Received from other states.....	206	167	-18.9
Reinstated and other ^a	214	125	-41.6
Removed from parole.....	4,715	5,222	+10.8
Revoked.....	1,127	1,151	+2.1
Discharged and other.....	3,588	4,071	+13.5
TOTAL PAROLES, end of year.....	7,704	6,700	-13.0
II CALIFORNIA SUPERVISION, beginning of year....	7,452	7,508	+0.8
Received.....	4,665	4,119	-11.7
New cases.....	4,629	4,083	-11.8
Transferred to California supervision from out-of-state supervision.....	36	36	-
Removed.....	4,609	5,158	+11.9
Revoked.....	1,121	1,141	+1.8
Discharged and other.....	3,407	3,923	+15.1
Transferred to out-of-state supervision..	81	94	+16.0
CALIFORNIA SUPERVISION, end of year.....	7,508	6,469	-13.8
III OUT-OF-STATE SUPERVISION, beginning of year..	207	196	-5.3
Received.....	212	229	+8.0
New cases.....	131	135	+3.1
Transferred from California supervision to out-of-state supervision.....	81	94	+16.0
Removed.....	223	194	-13.0
Revoked.....	6	10	+66.7
Discharged.....	181	148	-18.2
Transferred to California supervision....	36	36	-
OUT-OF-STATE SUPERVISION, end of year.....	196	231	+17.9

^a Includes releases to parole from furlough, out-to-court, DOH, Co. Jail or escape status.

TABLE V
 PAROLE CASELOAD MOVEMENT OF YOUTH AUTHORITY WARDS
 CALENDAR YEAR 1978

SUPERVISION UNIT	Caseload start of year	CASES RECEIVED			CASES REMOVED					Caseload and year
		Total	New cases	Transfer	Total	Ordered returned	Transfer	Discharged		
								Under viol.	Not under viol.	
GRAND TOTAL	7,704	6,196	4,218	1,978	7,200	1,151	1,978	1,436	2,635	6,700
Out-of-State Supervision	196	229	135	94	194	10	36	33	115	231
Males	185	217	126	91	181	9	34	32	106	221
Females	11	12	9	3	13	1	2	1	9	10
California Supervision	7,508	5,967	4,083	1,884	7,006	1,141	1,942	1,403	2,520	6,469
Males	7,070	5,621	3,883	1,738	6,565	1,106	1,795	1,352	2,312	6,126
Females	438	346	200	146	441	35	147	51	208	343
North	2,993	3,049	1,895	1,154	3,127	509	938	619	1,061	2,915
Region I	1,775	1,505	1,004	501	1,692	264	485	337	606	1,588
Region II	1,218	1,544	891	653	1,435	245	453	282	455	1,327
South	4,515	2,918	2,188	730	3,879	632	1,004	784	1,459	3,554
Region III	2,486	1,872	1,384	488	2,225	391	494	449	891	2,133
Region IV	2,029	1,046	804	242	1,654	241	510	335	568	1,421

TABLE VI
SUMMARY OF PAROLE VIOLATIONS
CALENDAR YEARS 1977 AND 1978

	1977	1978	PERCENT CHANGE
Placed on violation.....	4,828	4,829	-
Removed from violation.....	4,974	4,811	-3.3
a. Continued on parole.....	2,553	2,224	-12.9
b. Revoked or recommitted.....	1,127	1,151	+2.1
c. Discharged.....	1,294	1,436	+11.0
Youth Authority wards under a parole violation action at end of year.....	659	677	+2.8

TABLE VII
DISPOSITION OF VIOLATION ACTIONS BY TYPE OF VIOLATION
CALENDAR YEAR 1978

TYPE OF VIOLATION	Total		Continued on parole		Revoked or recommitted		Discharged	
	Number	Percent	Number	Percent	Number	Percent	Number	Percent
Total.....	4,811	100.0	2,224	46.2	1,151	23.9	1,436	29.9
Technical violation (AWOL)....	368	100.0	144	39.1	35	9.5	189	51.4
Technical violation (other)...	182	100.0	118	64.8	60	33.0	4	2.2
Law violation:								
Not prosecuted or not guilty.....	317	100.0	250	78.9	61	19.2	6	1.9
Pending trial or released to Y.A.	363	100.0	49	13.5	8	2.2	306	84.3
Law violation - convicted:								
Probation, fine, suspended sentence	620	100.0	540	87.1	54	8.7	26	4.2
Jail.....	798	100.0	579	72.5	137	17.2	82	10.3
Probation and jail.....	855	100.0	544	63.6	112	13.1	199	23.3
Prison, reformatory or CYA.....	1,308	100.0	-	-	684	52.3	624	47.7

TABLE VIII

MEAN LENGTH OF STAY IN INSTITUTIONS PRIOR TO RELEASE ON PAROLE
BY INSTITUTION OF RELEASE* (in months)

INSTITUTION OF RELEASE	1977 Calendar Year	1978 Calendar Year	1978-79 Fiscal Year to date (6 months)
Total**.....	10.9	11.3	11.5
Males.....	10.9	11.3	11.5
Females.....	10.8	11.8	12.6
CYA Institutions.....	10.9	11.3	11.5
Schools & Camps - Males.....	10.9	11.2	11.4
Nelles.....	11.1	11.9	12.0
Close.....	8.7	9.9	10.1
El Paso de Robles.....	11.0	11.4	12.2
Holton.....	10.3	10.5	10.5
Nelson.....	10.2	11.3	11.4
Preston.....	15.3	14.9	14.7
Youth Training School.....	11.7	11.6	11.6
Ventura.....	11.5	12.1	13.3
Camps.....	8.4	8.6	8.9
Ventura - Females.....	10.4	11.2	12.2
CDC Institutions.....	18.8	20.7	21.9

*Includes time in clinic.

**Includes all institutions operating during periods shown.

TABLE IX

MEAN LENGTH OF STAY ON PAROLE PRIOR TO REMOVAL FROM PAROLE
By Type of Removal and Sex
(In months)

TYPE OF REMOVAL	1977 Calendar Year			1978 Calendar Year			1978-79 Fiscal Year to Date (6 months)		
	Total	Males	Females	Total	Males	Females	Total	Males	Females
Total.....	19.2	18.9	24.2	20.2	20.0	23.9	21.0	20.8	23.9
Non-violators.....	22.4	22.1	25.2	23.4	23.4	24.4	23.8	23.7	24.4
Violators.....	16.5	16.2	22.5	17.2	17.0	22.8	18.0	17.8	23.0
Revoked.....	11.4	11.4	11.0	11.8	11.8	11.9	12.2	12.2	12.0
Discharged.....	20.9	20.4	30.5	21.5	21.1	30.4	22.2	21.9	31.0

TABLE X
FIRST COMMITMENTS TO THE CALIFORNIA YOUTH AUTHORITY
1966 THROUGH 1978 CALENDAR YEARS

BY SEX, COMMITTING COURT, AND RATE PER 100,000 YOUTH POPULATION*

CALENDAR YEAR	Total		MALES						All Females	
			Total		Juvenile court		Criminal court			
	Number	Rate	Number	Rate	Number	Rate	Number	Rate	Number	Rate
1966	5,470	148.0	4,583	249.3	3,305	230.8	1,278	314.8	887	47.7
1967	4,998	129.4	4,217	219.5	2,850	193.4	1,367	305.8	781	40.2
1968	4,690	119.1	3,973	202.6	2,530	167.5	1,443	320.0	717	36.2
1969	4,494	112.2	3,860	193.7	2,242	145.4	1,618	358.8	634	31.5
1970	3,746	92.3	3,319	164.1	1,855	118.5	1,464	320.4	427	21.0
1971	3,218	78.2	2,880	140.2	1,397	88.4	1,483	312.9	338	16.4
1972	2,728	65.7	2,476	119.2	1,267	80.3	1,209	241.3	252	12.2
1973	2,757	66.0	2,534	121.0	1,297	81.9	1,237	242.1	223	10.7
1974	3,002	71.6	2,790	132.4	1,367	86.1	1,423	274.2	212	10.2
1975	3,404	80.9	3,223	152.0	1,714	107.5	1,509	286.9	181	8.7
1976	3,559	84.3	3,377	158.7	1,633	102.7	1,744	324.2	182	8.7
1977	3,626	85.9	3,457	162.5	1,904	120.9	1,553	281.3	169	8.1
1978	3,776	90.0	3,614	171.1	2,083	134.2	1,531	273.4	162	7.8

*Rates based on 10-20 year age group for total; 10-17 for juvenile court males; 18-20 for criminal court males; 10-20 for all females.



END