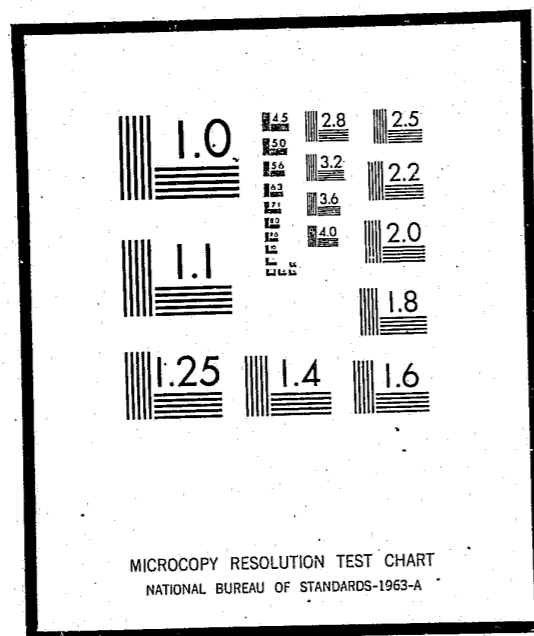


NCJRS

This microfiche was produced from documents received for inclusion in the NCJRS data base. Since NCJRS cannot exercise control over the physical condition of the documents submitted, the individual frame quality will vary. The resolution chart on this frame may be used to evaluate the document quality.



Microfilming procedures used to create this fiche comply with the standards set forth in 41CFR 101-11.504

Points of view or opinions stated in this document are those of the author(s) and do not represent the official position or policies of the U.S. Department of Justice.

U.S. DEPARTMENT OF JUSTICE
LAW ENFORCEMENT ASSISTANCE ADMINISTRATION
NATIONAL CRIMINAL JUSTICE REFERENCE SERVICE
WASHINGTON, D.C. 20531

Date filmed

2/18/76

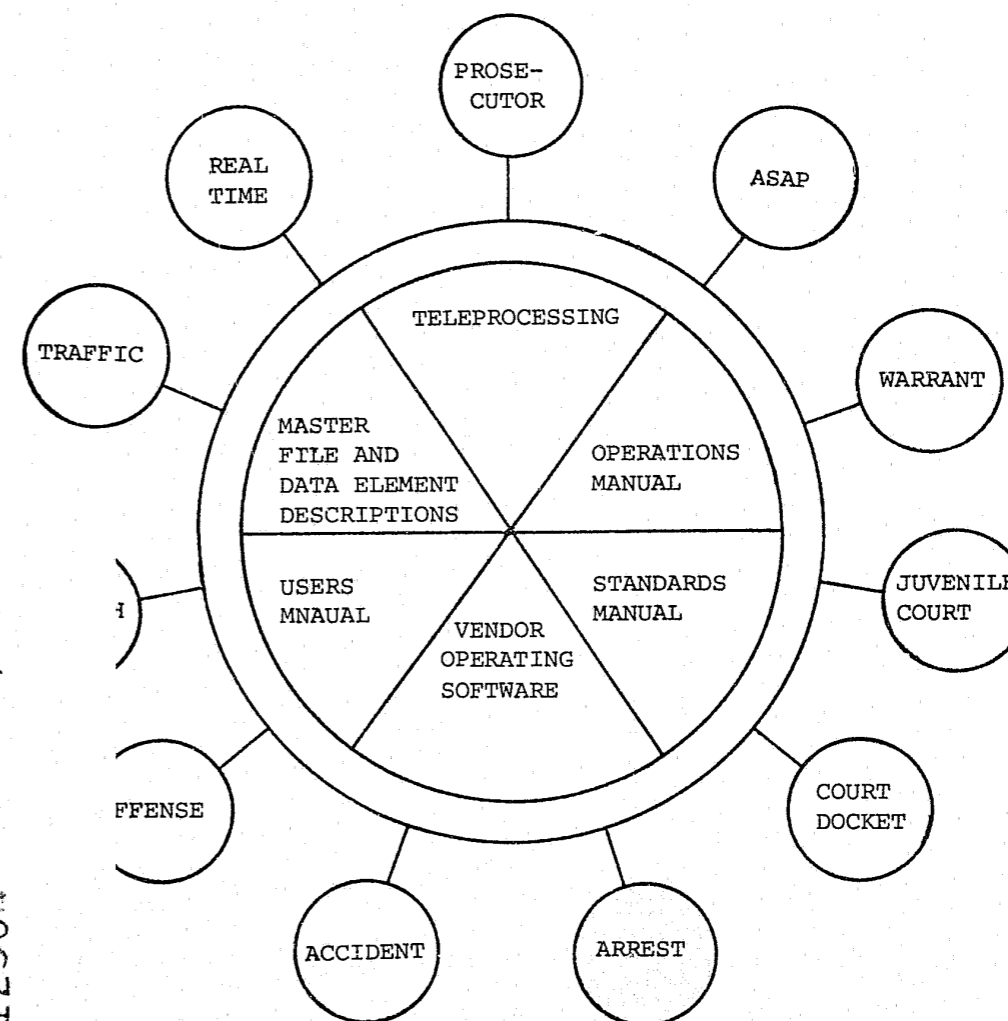
PREFACE

This documentation is one volume of a complete set of documentation for ALERT II under DOS. The documentation is modularized in order to minimize duplication of information and facilitate revisions. This modularization requires a brief understanding of each of the volumes for effective use.

The overall system concept of ALERT encompasses the use of three main files, a Name Index File, a General Purpose Index File and Master Data File. These files are utilized by the sub-systems as required and are therefore program independent.

ALERT II Documentation Relationships

The volume you are reading is represented by the shaded figure. The volumes contained in the large center circle serve all outlying sub-systems. The outlying sub-systems are independent of each other but are highly dependent on the center circle volumes.



01290

Systems and Programming Volumes

The systems and programming documentation is divided into 12 separate volumes. Normally these volumes represent an application, such as "Traffic". Two volumes represent special functions or groupings of support programs. An example of generalized support functions is Teleprocessing, in that it contains most of the TPD's used by the applications.

The sub-system volumes are made up of:

<u>Sub-System Name</u>	<u>Brief Description</u>	<u>Program I.D.</u>
Teleprocessing	TPD's and routines for other sub-systems	RA
Real Time	Background support programs and report preparation	RB, CB
Warrant	A Law Enforcement system that contains warrants, wants and warning information	JX
Traffic	A traffic ticket system that records the names of traffic violators as well as data about traffic incidences	CD
Dispatch	An information system for analysis of manpower workload and calls for service	CE
Arrest	A system that records individual arrests and provides statistical and historical information	CV
Accident	A vehicular accident system containing statistical and historical data about accidents	CJ, JJ
Offense	A system that records statistical and historical data about criminal incidences	CF
Court Docket	A Municipal Court docket system that prints the court dockets, officer notifications, and automatically generates warrants for failure to appear	JD

<u>Sub-System Name</u>	<u>Brief Description</u>	<u>Program I.D.</u>
Prosecutor	A Correction and Probation system allowing immediate access to case status	J3
Juvenile Court	An information system recording transactional data on juvenile offenders. This system involves highly restricted access of on-line data.	JM
ASAP	An information system serving the Alcohol Safety Action Program	JO

The systems and programming documentation is divided into two sections: (1) Systems documentation; (2) Program documentation for programs contained in the system. The table of contents directs the use of each volume. For ease of updating, the numbering scheme is modularized. Systems documentation will be referenced by SYS-XX with XX being page numbers within the systems documentation. Program documentation will be referenced by program number-XX, again the XX being pages within programs.

The program number is a critical reference tool. The first two digits represent which sub-system the program is included in (see above table). When a program creates a magnetic tape that tape is named "Program Number"-TX, with the X being "1" for the first tape it creates, "2" for a succeeding tape, etc. Reports are also numbered in the same manner using an "L" instead of a "T", "Program Number"-LX.

Two styles of record layouts are used in the documentation. One is a continuous single record layout (a Cobol FD is included) and the second is a multi-record, 132 character, layout.

The single record layout is for master files and the multi-record layout is for temporary work files. Typically, the work records are tape records that are used to write reports. The Master File layouts have detail data elements descriptions contained in the Master File and Data Element Description volume.

Operations Manual

The Operations Manual contains the Set-Up and Operating instruction for each program. Details of special control cards or date cards are described in the Special Instruction Section of the Set-Up document.



SECTION

DATE ISSUED

DATE REVISED

Users Manual

The Users Manual contains all information necessary for a user to use specific systems. It is important to know that CRT layouts and data element definitions and codes are contained in this Manual.

Standards Manual

The Standards Manual directs the creation, operation and modification of all systems, programs and documentation.

Master File and Data Element Descriptions

All records in the Master Files are represented by Record Layouts with Cobol FD statements. Data Element Descriptions for all Master File Data Elements are contained in this volume.

TABLE OF CONTENTS

<u>SYSTEM DOCUMENTATION</u>	<u>INDEX NUMBER</u>
System Overview	SYS-02
System Flowchart	SYS-05
System Source Documents	SYS-09
System Record Layouts	SYS-12
<u>SYSTEM PROGRAMS</u>	SYS-20
Monthly Arrest Tape Creation	CU000
Create Year-To-Date Arrest Tape	CU001
Create Backup Tape	CU002
Monthly Juvenile Arrests by Age, Race and Sex	CU015
Arrests by Beat	CU016
Arrests by Time of Day	CU017
Monthly Arrests by Age, Race and Sex	CU018
Arrests by Bureaus, Divisions and Units	CU019
Arrests by Disposition	CU020
Annual Return of Persons Charged	CU022



SECTION

DATE ISSUED

DATE REVISED

ARREST REPORTING SYSTEM

INDEX NUMBER .
SYS - 01



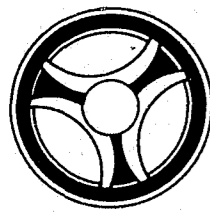
SECTION

DATE ISSUED

DATE REVISED

SYSTEMS OVERVIEW

INDEX NUMBER
SYS-02



SYSTEM DOCUMENTATION

SECTION
ARREST SYSTEM

DATE ISSUED
January 16, 1973

DATE REVISED



SYSTEM DOCUMENTATION

SECTION
ARREST SYSTEM

DATE ISSUED
January 16, 1973

DATE REVISED

ARREST REPORTING SYSTEM

The Arrest Reporting System was developed to provide statistical information concerning all arrests made by Kansas City, Missouri Police Officers, and is also available for the cities and counties in the Region covered by the ALERT System. The information is provided to User Departments in the form of standard periodic computer-generated reports and also upon reasonable requests for specific arrest information to be generated by the computer. The regularly scheduled arrest statistical reports are prepared on a weekly, monthly or annual basis. All other reports are produced on an as required or as requested basis.

The input data for the arrest system is collected from standard Police Department report forms that are filled out by Police Officers after they have effected an arrest. The report forms used by the Kansas City, Missouri Police Department are as follows:

- A. Record of Arrest.
- B. General Ordinance Summons.
- C. Juvenile Custody Report.

After completion the above reports are checked by the Reporting Officers' immediate supervisor and if approved are forwarded to the Data Control Unit for final checking. The forms are then sent to the Data Processing Unit for on-line entry through Remote CRT Terminals. The data being entered is subject to on-line primary edits and any errors encountered are returned to the CRT Screen in the form of asterisks. The operator must then re-enter the information correctly.

The address at which an arrest is made is required and during the on-line entry of arrest information the data is passed through a census tract and block lookup. This is performed by loading address information into a key and reading an on-line file containing the census tract and block corresponding to the address. This information is added to the arrest data already entered and then all of the information is formatted into the necessary records which are subsequently written on the master file, general index file, and name index file.

At the end of each month a program is run that reads the general index and master files and creates a monthly arrest tape which is used as input to the arrest report programs. The monthly tape provides a comprehensive list of statistics on the person arrested, the particulars of the arrest, disposition information, previous arrest record information, and location information.

After the monthly arrest report programs have been run the monthly tape is merged with the prior month's year-to-date tape to create an updated year-to-date arrest tape. This tape has the same record format as the monthly tape and is used as input for programs requiring more than a single month's information. The year-to-date arrest tape is kept indefinitely as a permanent history file.

INDEX NUMBER
SYS-03

INDEX NUMBER
SYS-04



SECTION

DATE ISSUED

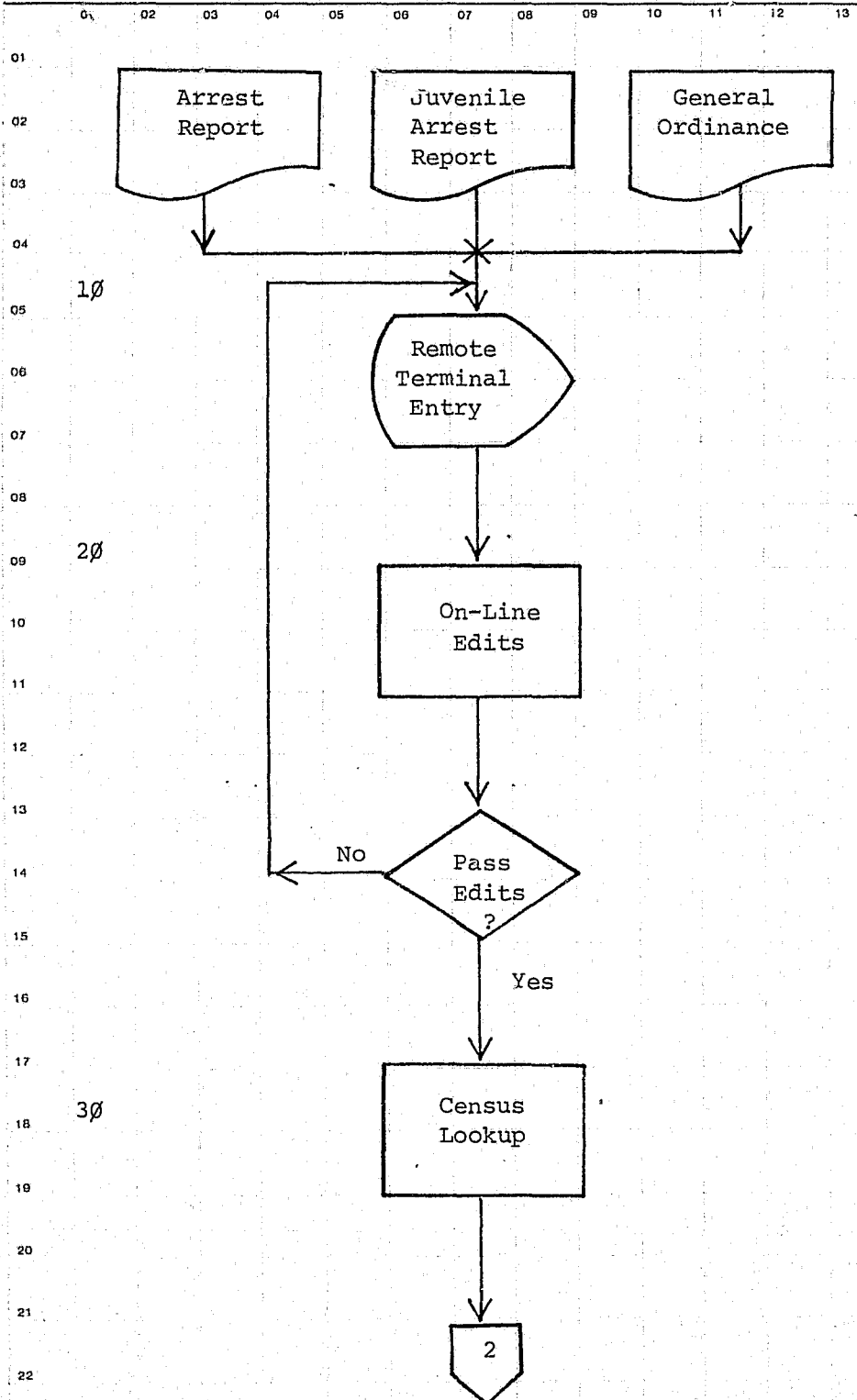
DATE REVISED

SYSTEM FLOWCHART

INDEX NUMBER
SYS-05

FLOWCHART

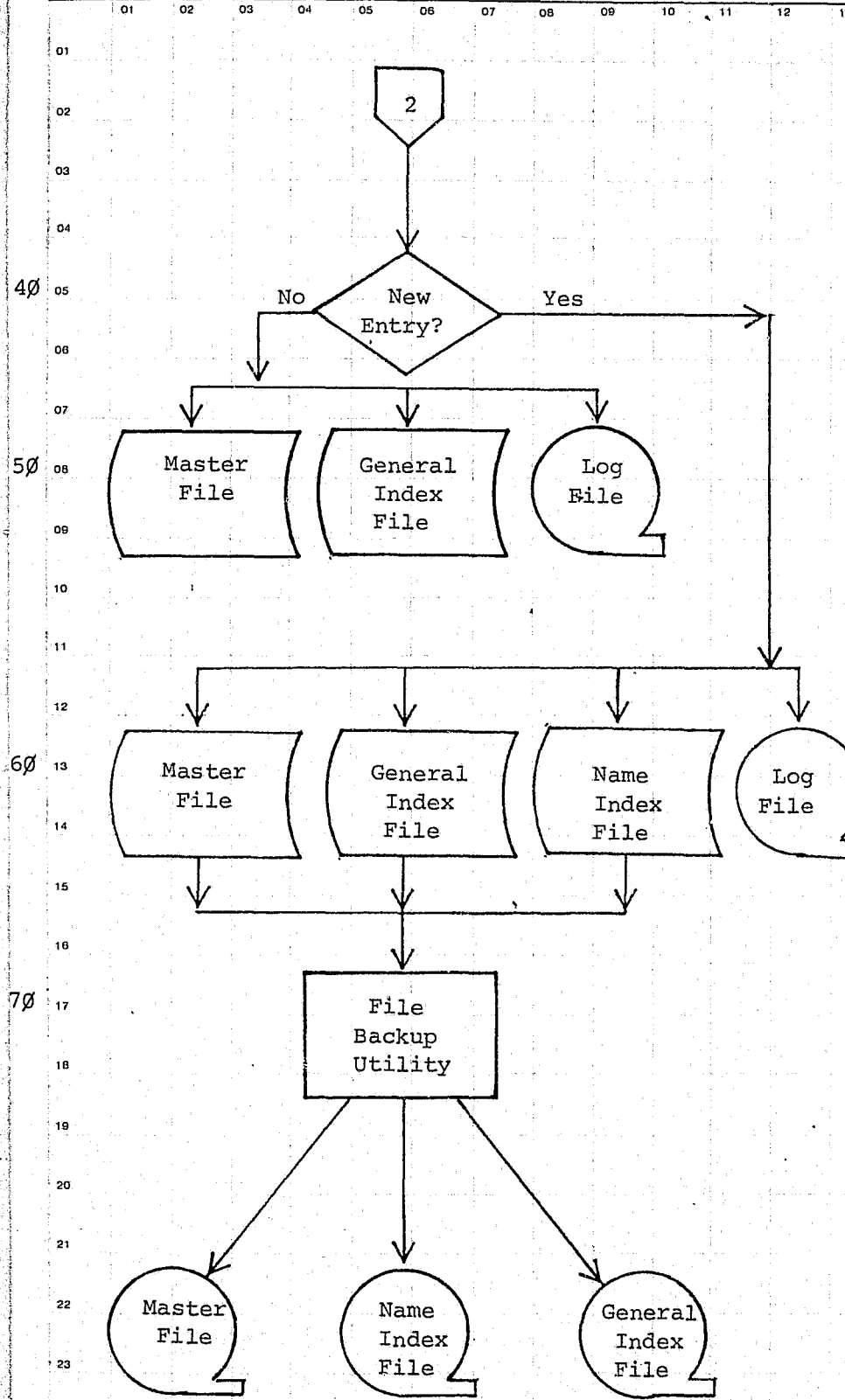
DESCRIPTION



10 Arrest Report filled out by Police Officer, sent to Data Control and Data Processing for on-line entry.
 20 Entries passed through primary edit's and all errors are redisplayed on screen for immediate correction.
 30 Census Tract and Block retrieved from on-line file.

FLOWCHART

DESCRIPTION



40 One of the required data fields on any arrest entry is the name of the person arrested. At this point the computer makes a determination as to whether the arrestee has been previously entered into the computer files or rather that this is an entirely new entry.
 50 If the data being processed concerns a previously entered name, new arrest information is added to the Master File and the General Index File. The transaction is also entered on the Log File.
 60 If the entry being processed is entirely new, information is added to the Master File, General Index File and the Name Index File. The transaction is entered on the Log File.
 70 For security purposes as well as input to other programs, the Master File, General Index File, and Name Index File are "backed up" on tape.

System No.	System Title: Arrest Reporting System		
Date Prepared:	Prepared By:	Revision Date:	Revised By:
Date Approved:	Approved By:		

INDEX NUMBER
SYS-06

System No.	System Title: Arrest Reporting System		
Date Prepared:	Prepared By:	Revision Date:	Revised By:
Date Approved:	Approved By:		

INDEX NUMBER
SYS-07



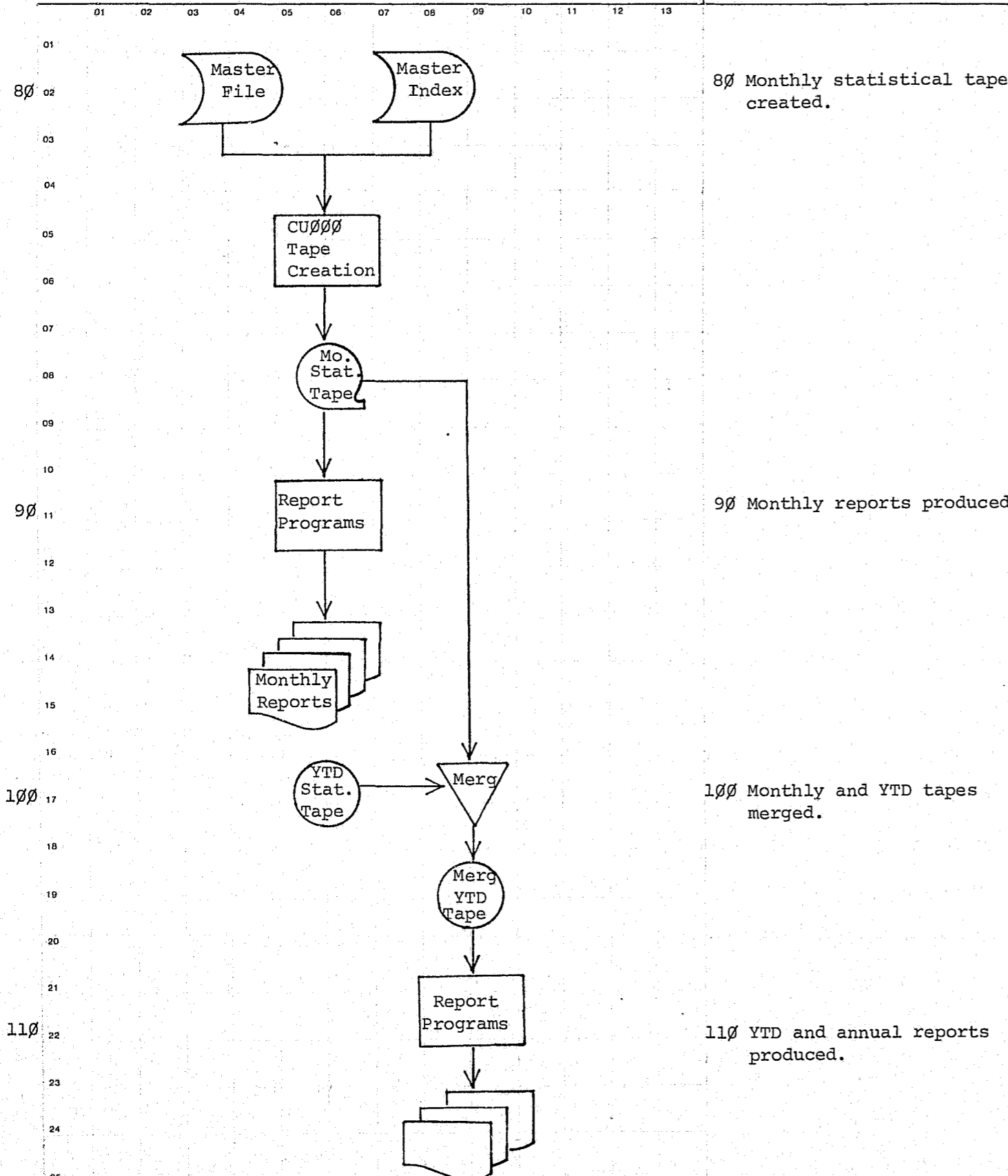
SECTION

DATE ISSUED

DATE REVISED

FLOWCHART

DESCRIPTION



80 Monthly statistical tape created.

90 Monthly reports produced.

100 Monthly and YTD tapes merged.

110 YTD and annual reports produced.

SYSTEM SOURCE DOCUMENTS

System No.	System Title: Arrest Reporting System		
Date Prepared:	Prepared By:	Revision Date:	Revised By:
Date Approved:	Approved By:		

INDEX NUMBER
SYS-08

INDEX NUMBER
SYS-09

SURNAME		FIRST NAME		MIDDLE NAME		PLACE ARRESTED		1-66515	
JAB		RESIDENCE		DATE		TIME		BOOKING DATE & TIME	
BIRTH PLACE		BIRTH DATE		AGE		RACE		SEX	
OCCUPATION		COMPANY EMPLOYED BY:		BOND NO.		BOND AMT.		PROPERTY NO.	
RELATIVE NAME		ADDRESS		ARRESTING OFFICER		APPROVED BY:		CLERK	
CHARGE CHANGED		ILLNESSES							
VOID									
COURT DATE		TIME		FFC		KCPD NO.		FBI NO.	
RECORD OF ARREST POLICE DEPARTMENT KANSAS CITY, MO.									

KANSAS CITY MISSOURI POLICE DEPARTMENT

Juvenile Custody Report

No.0-98537

Name		First Name		Middle Name		Place Taken Into Custody		Date		Time	
Residence		Charge		Place		Birth Date		Age		Race	
School or Business Address		Parents or Guardian		Address		Phone No.		Others with Juvenile		Comp.	
Officers		Serial No.		Approved By		Clerk					
Complainant (or informant)		Address		Phone Number							

Details of Complaint: VOID

Parent or Guardian Notified By:		Youth Unit Officer Notified		Time	

TO BE FILLED IN BY YOUTH UNIT

Details of Investigation & Action Taken:

Disposition (Check One)		Previous Record (Check One)		Subject Now On (Check One)	
Handled by		Yes _____ No _____		Court Parole _____ Court Probation _____	
Youth Unit		Investigator		Date & Time Completed	

Original & 3 Copies to Youth Unit
Copy - Station File

INDEX NUMBER
SYS-10

INDEX NUMBER
SYS-11

IN THE MUNICIPAL COURT OF KANSAS CITY, MISSOURI		SS		THE UNDERSIGNED COMPLAINS AND STATES THAT:		STATION COPY OF INFORMATION NO.	
On or About		In Kansas City, Missouri		At or Near		At About (Time)	
Address		City and State		Age		DOB	
SSN		Employer		Address		Relative Name	
Address		Relative Name		Address			
DID UNLAWFULLY WITHIN THE AFORESAID CITY, COUNTY AND STATE COMMIT THE FOLLOWING OFFENSE:							
VOID							
In Violation of the Revised Ordinances of Kansas City, Missouri, 1966, As Amended, Chapter _____, Section _____, Penalty Chapter _____, Section _____							
Above Complaint Is True As I Verily Believe							
COMPLAINANT:		OFFICER:		Serial No.		Unit	
On information and upon official oath the prosecutor complains and informs the Court that these facts are true as he verily believes.		Assistant City Counselor		Filed		Searched By	
Case Report Number		Date, Time & Location Of Arrest If Other Than Above:					
Bond No.		Bond Amount		Property No.		Court Date	
Time		Place		Room		Without Admitting Guilt, I Promise to Appear in the Municipal Court of Kansas City, Missouri, At the Time Indicated Hereon	
1125 Locust St.		1021 McGee St.		Defendant's Signature		GENERAL ORDINANCE SUMMONS	



SECTION

DATE ISSUED

DATE REVISED

SYSTEM RECORD LAYOUTS

INDEX NUMBER
SYS-12

EDP RECORD LAYOUT	MB1 - MASTER NAME RECORD
-------------------	--------------------------

			5				10				15				20				25				30				35			40
	D	NAME																												
	FLAG	MASTK	ORI																FNAME											
1		P15	7																11											

				45					50					55					60					65					70				75			80
	PHSID																																			
	M	J	R	A	S	DOB	B	H	W	H	E	C	F	T																						
	I	R	A	E	X		I	G	G	A	Y	R	E	S	3																					
							R	T	T	I	E	S	S	D																						
							S			R	S	F	A																							
							T			S			T																							
1	1	1	1	1		P5	2	P3	P3	1	1	1	1	P5																						

```

01 MB1.
02 MBIDFLAG PIC X.
02 MBIMASTK PIC 9(15) COMP-3.
02 MB1ORI PIC X(7).
02 MB1NAME.
03 MB1LNAME PIC X(17).
03 MB1FNAME PIC X(11).
03 MB1MI PIC X.
03 MB1JRSR PIC X.
02 MB1PHSID.
03 MB1RACE PIC X.
03 MB1SEX PIC X.
03 MB1DOB PIC 9(5) COMP-3.
03 MB1BIRST PIC XX.
03 MB1HGT PIC 9(3) COMP-3.
03 MB1WGT PIC 9(3) COMP-3.
03 MB1HAIR PIC X.
03 MB1EYES PIC X.
02 MB1CKSTS PIC X.
02 FILLFR PIC XXXX.
  
```

EDP RECORD LAYOUT	MB3 - ADDRESS RECORD
-------------------	----------------------

			5				10				15				20				25				30				35			40
	D	EXACT																												
	FLAG	MASTK	ORI	STRNO	APTNO	FILLER	STRNA										S	S												
1		P15	7	5	4	2											1	1												

				45					50					55					60					65					70				75			80
	CITY															S	Z	E	F	TRBK																
																T	P	N	I																	
																A	C	T	L																	
																E	D	T	L																	
																			R																	
1																2	P5	P5	2																	

```

01 MB3.
02 MB3DFLAG PIC X.
02 MB3MASTK PIC 9(15) COMP-3.
02 MB3ORI PIC X(7).
02 MB3EXACT.
03 MB3STRNO PIC X(5).
03 MB3APTNO PIC X(4).
03 FILLER PIC XX.
03 MB3STRNA PIC X(10).
03 MB3STRSF PIC X.
03 MB3STDIR PIC X.
03 MB3CITY PIC X(10).
03 MB3STATE PIC XX.
03 MB3ZIPCD PIC 9(5) COMP-3.
02 MB3ENTDT PIC 9(5) COMP-3.
02 FILLFR PIC XX.
02 MB3TRRK PIC 9(9) COMP-3.
  
```


EDP RECORD LAYOUT MZ2 - ADDRESS OF OCCURRENCE (INTERSECTION)

0		5		10		15		20		25		30		35		40
DFLAG	MASTK	ORI	ADDRS										NS	STDIR		
1	P15	7	EWSTR	EW	NSSTR	S	F	X	1	10	1	1				

41		45		50		55		60		65		70		75		80
CITY				S	S	AREA										
				T	E	B	T									
				A	Q	E	R									
				T		A	B									
				E		T	K									
10				2	P5	P8	P8									

SECTION

DATE ISSUED

DATE REVISED



SYSTEM PROGRAMS

```

01 MZ2.
02 MZ2DFLAG      PIC X.
02 MZ2MASTK     PIC 9(15)  COMP-3.
02 MZ2ORI       PIC X(7).
02 MZ2ADDRS.
03 MZ2EWSTR     PIC X(10).
03 MZ2EWSFX    PIC X.
03 MZ2NSSTR     PIC X(10).
03 MZ2NSSFX    PIC X.
03 MZ2STDIR     PIC X.
03 MZ2CITY      PIC X(10).
03 MZ2STATE     PIC XX.
02 MZ2SEQ       PIC 9(5)   COMP-3.
02 MZ2AREA.
03 MZ2BEAT     PIC 9(8)   COMP-3.
03 MZ2TRBK     PIC 9(8)   COMP-3.
    
```



SECTION
ARREST PROGRAMS

PROGRAMMING DOCUMENTATION

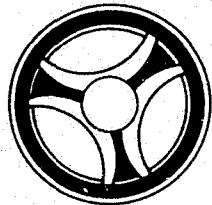
DATE ISSUED	DATE REVISED
January 16, 1973	

TITLE: MONTHLY ARREST TAPE CREATION

DATE OPERATIONAL: January 16, 1973

PURPOSE: To create a monthly arrest tape to be used as input for the various arrest report programs.

INDEX NUMBER
CU000-01



PROGRAMMING DOCUMENTATION

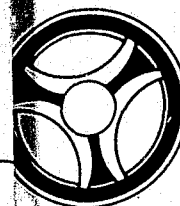
SECTION

ARREST PROGRAMS

DATE ISSUED

January 16, 1973

DATE REVISED



PROGRAMMING DOCUMENTATION

SECTION

ARREST PROGRAMS

DATE ISSUED

January 16, 1973

DATE REVISED

I. PROGRAM NARRATIVE

Input to this program is the ALERT System Master File and output is the tape containing the monthly arrest information for all agencies participating in the arrest system. The master file is read sequentially and each complement of records is checked to see if any of the following type of arrest records have been entered during the month for which this program is being run:

- A. An arrest record with no disposition record.
- B. An arrest record and a disposition record pertaining to that arrest.
- C. A disposition record pertaining to a prior month's arrest.

If any of the above conditions are met, information is taken from the master file name and address records, the various arrest statistical records, and the address of occurrence records. This information is formatted into a complement of either three or four 105-character output records. These records include the tape, name record, either the arrest statistical record or arrest disposition record (or both), and an arrest location record. After the entire master file has been read and all the necessary 105-character records created they are sorted by record type within ALERT number within originating agency code and upon return from the Sort are written onto the output tape.

II. DETAILED DESCRIPTION

The input and output files are opened and various work areas are blanked out. A control card is accepted containing the beginning and ending dates of the month for which the output tape is to be created, and the Sort file is initiated.

READ-A-RECORD reads the Master File sequentially and at end transfers control to the paragraph entitled THATS-ALL. The packed Master File key is unpacked into a save area.

COME-BACK is the paragraph that determines by examining the unpacked master file key which type of master file record is being processed, and transfers control to the appropriate paragraph within the program. This paragraph also causes all records not pertaining to arrest information needed to be bypassed and control returns to the read paragraph.

NAME-ROUTINE extracts all necessary information from the Master File name record and moves it to a save area. Control is then transferred back to the read paragraph.

ADDRESS-ROUTINE extracts all necessary information from the Master File address record (address of person arrested) and moves this information to a save area. This paragraph also expands street suffix code and street direction codes to meaningful literals. Control is then returned to the read paragraph.

PREVIOUS-ARREST, NEXTX1X, NO-JACKET. These three paragraphs combine to extract previous arrest information from a "free format" record on the master file. This information is also moved to the save area and control is returned to the read paragraph.

CURREN-ARR, NEXTX3, NEXTX3X, NEXTX4 combine to extract all current arrest information and move it to a save area. Control is returned to the read paragraph.

DISP, NEXTX5, NEXTX6, NEXTX7, NEXTX8 combine to extract the arrest disposition information from the master file records and move it to a save area. Control is returned to the read paragraph.

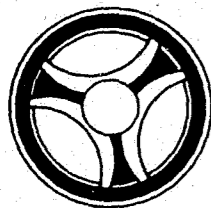
LOCATION-I, NXTX1 combine to extract information from the actual address of occurrence record contained in the master file and move this information to a save area. This paragraph also performs various expansion routines where single digit street codes, suffixes and directions are expanded to meet the need for literals before they are moved to the save area. This paragraph only deals with the actual address as opposed to the intersection type address which is handled by the following two paragraphs. Control is once again returned to the read paragraph.

LOCATION-II, NXTX2 combine to handle the address of occurrence if that address is at a street intersection. This paragraph also performs various expansion routines of the street suffixes before moving to the save area and control is returned to the read paragraph.

As the previous information is being collected, various switches are set and checked at the beginning of the read paragraph to indicate whether or not the information should be released to the Sort. When the various conditions are met control falls to the following paragraphs.

WRIT-TAPE releases the first 105-character records to the Sort. This record contains the arrestee's name, physical descriptors, date of birth, and home address.

INDEX NUMBER
CU000INDEX NUMBER
CU000-03



PROGRAMMING DOCUMENTATION

SECTION
ARREST PROGRAMS

DATE ISSUED
January 16, 1973

DATE REVISED

SYSTEM FLOW CHART

FLOWCHART

DESCRIPTION

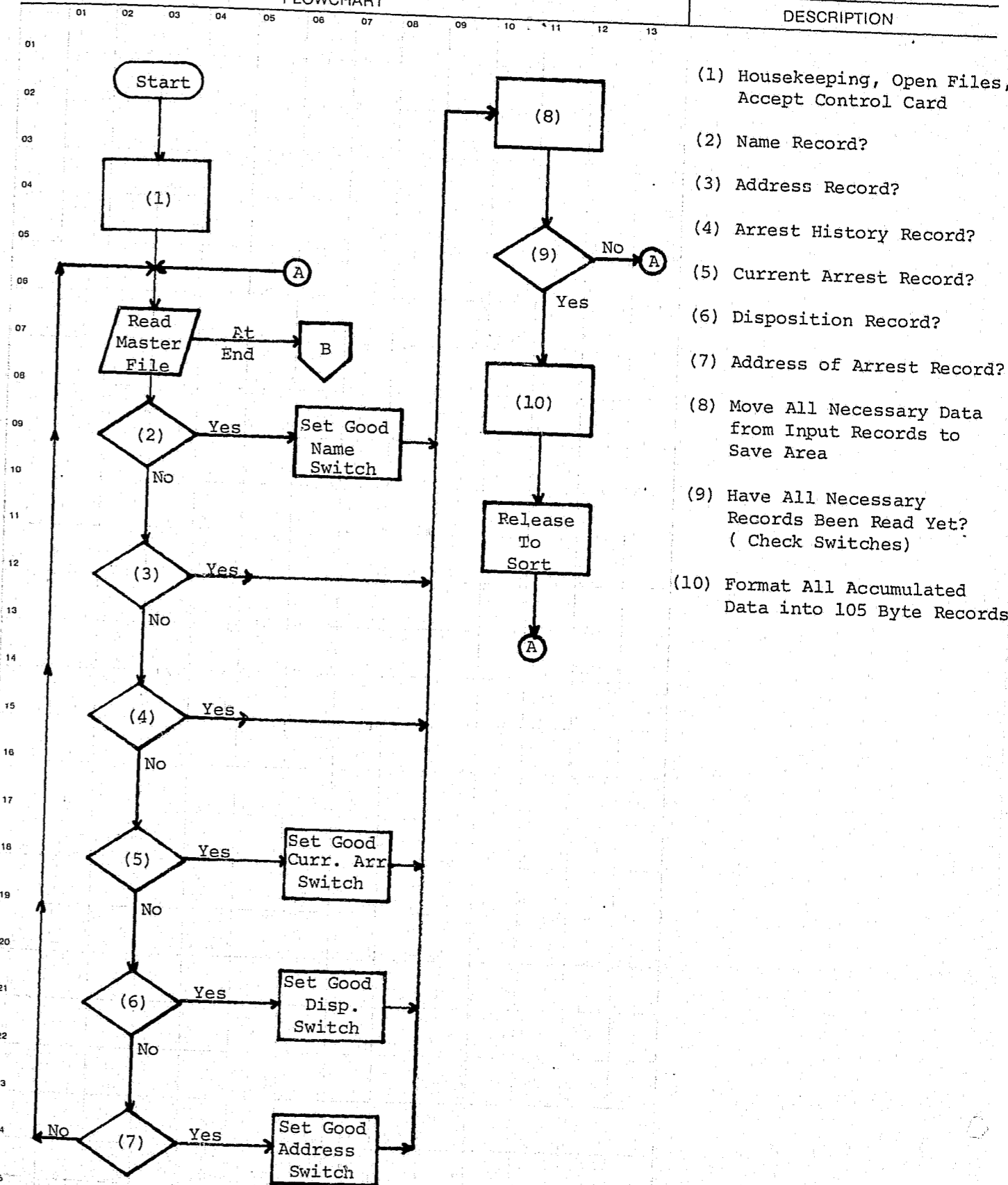
BY-PASS causes the remaining 105-character records to be released to the Sort. The first of these is the arrest statistical record which contains all of the current arrest particulars, information about the arresting officers, and the number of previous arrests that this subject has had broken down into several different categories. The second 105-character released in this paragraph is the arrest disposition record which contains all particulars such as the date of the disposition, type of disposition, court number, court day, sentence, amount of fine, etc. This record also contains the accounts of the previous arrests identical to those in the arrest statistical record. The last record to be released is the arrest location record which will be either the actual address type or the intersection address type. Of the possible records created, the name record, one of the two address type records, and either the statistical record or disposition record or both must be present before any of them are released to the Sort.

BRANCH-BACK is the last paragraph processed for each complement of records being released to the Sort. This paragraph resets all the switches and moves spaces to the various save areas and control returns to the paragraph entitled COME-BACK. This is the paragraph directly below the read paragraph and is branched to because the master file name record of the next complement has already been read.

THATS-ALL is the paragraph that is branched to from the read paragraph when the last master file record has been read. This paragraph activates the Sort and the records are sorted by type of records with ALERT number, within originating agency code. When the records are returned from the Sort each complement of records will be in sequence by the name record, the arrest statistical record, the arrest disposition record, if it is present, and the location record.

RET1 returns the records from the Sort and writes the output tape. This paragraph is repeated until the last record is returned from the Sort at which time control falls through to the following paragraph.

STOPRUN2 causes the input and output files to be closed and a normal end-of-job message displayed upon the console.



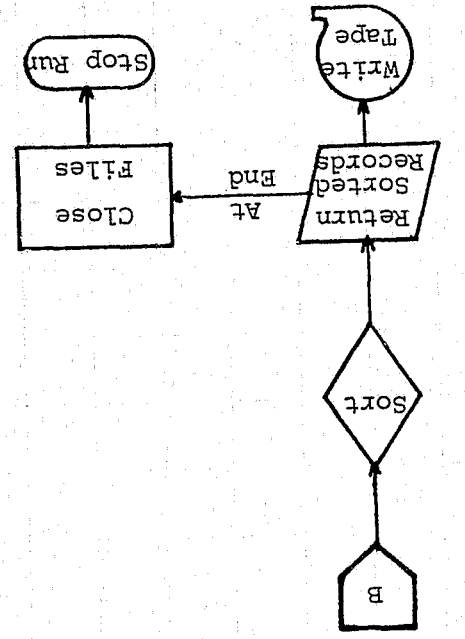
- (1) Housekeeping, Open Files, Accept Control Card
- (2) Name Record?
- (3) Address Record?
- (4) Arrest History Record?
- (5) Current Arrest Record?
- (6) Disposition Record?
- (7) Address of Arrest Record?
- (8) Move All Necessary Data from Input Records to Save Area
- (9) Have All Necessary Records Been Read Yet? (Check Switches)
- (10) Format All Accumulated Data into 105 Byte Records

INDEX NUMBER
CU000-1

System No.	System Title:		
Date Prepared:	Prepared By:	Revision Date:	Revised By:
Date Approved:	Approved By:		

INDEX NUMBER
CU000-05

25	
24	
23	
22	
21	
20	
19	
18	
17	
16	
15	
14	
13	
12	
11	
10	
09	
08	
07	
06	
05	
04	
03	
02	
01	



ED P RECORD LAYOUT

MONTHLY ARREST TAPE CU00001

1	RECORD KEY	ALERT NUMBER
2	TYPE 40	NO. OF ARRESTS THIS PERSON
3	RECORD COUNT	RECORD COUNT
4	ORI	ORI
5	ARREST NUMBER	ARREST NUMBER
6	FILLER	ARREST DATE
7	LAST NAME	ARREST HOUR
8	FIRST NAME	ARREST CHARGE
9	MIDDLE INITIAL	NATURE
10	T/S RACE SEX	AGE
11	DATE OF BIRTH	RACE
12	ADDRESS NO.	SEX
13	APT. NO.	NARCOTICS INVLD
14	STREET NAME	JUV. COURT
15	STREET SUFFIX	JUV. PREVIOUS
16	STREET DIR.	JUV/PAROLE PROB.
17	CITY	HELD FOR PROS.
18	STATE	UNIT
19	FILLER	SERIAL NO. 1
20		SERIAL NO. 2
21		ORDINANCE ARRESTS
22		ORDINANCE CONVICTIONS
23		MILITANT ACTIVIST
24		TRAFFIC ARRESTS
25		TRAFFIC CONVICTIONS
26		MISDEMEANOR ARRESTS
27		MISDEMEANOR CONVICTIONS
28		FELONY ARRESTS
29		FELONY CONVICTIONS
30		ARREST COUNT
31		DISP. FLAG
32		JACKET NO.
33		REPORT DATE

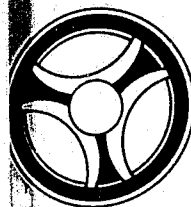
1	RECORD KEY	ALERT NUMBER
2	TYPE 40	NO. OF ARRESTS THIS PERSON
3	RECORD COUNT	RECORD COUNT
4	ORI	ORI
5	ARREST NUMBER	ARREST NUMBER
6	ARREST DATE	ARREST DATE
7	CHARGE	CHARGE
8	NATURE	NATURE
9	FINAL CHARGE	FINAL CHARGE
10	DISPOSITION DATE	DISPOSITION DATE
11	TYPE DISP.	TYPE DISP.
12	CRT JURIS.	CRT JURIS.
13	SENTENCE IN MONTHS	SENTENCE IN MONTHS
14	SENTENCE IN DAYS	SENTENCE IN DAYS
15	SENT &/OR FINE	SENT &/OR FINE
16	AMOUNT OF FINE	AMOUNT OF FINE
17	PAROLE/PROB.	PAROLE/PROB.
18	PAROLE/PROB. IN MONTHS	PAROLE/PROB. IN MONTHS
19	MILITANT ACTIVIST	MILITANT ACTIVIST
20	TRAFFIC ARRESTS	TRAFFIC ARRESTS
21	TRAFFIC CONVICTIONS	TRAFFIC CONVICTIONS
22	MISDEMEANOR ARRESTS	MISDEMEANOR ARRESTS
23	MISDEMEANOR CONVICTIONS	MISDEMEANOR CONVICTIONS
24	FELONY ARRESTS	FELONY ARRESTS
25	FELONY CONVICTIONS	FELONY CONVICTIONS
26	FILLER	FILLER
27	DISP. FLAG	DISP. FLAG
28	JACKET NO.	JACKET NO.
29	REPORT DATE	REPORT DATE

1	RECORD KEY	ALERT NUMBER
2	TYPE 40	NO. OF ARRESTS THIS PERSON
3	RECORD COUNT	RECORD COUNT
4	ORI	ORI
5	ARREST NUMBER	ARREST NUMBER
6	ARREST DATE	ARREST DATE
7	CHARGE	CHARGE
8	NATURE	NATURE
9	FINAL CHARGE	FINAL CHARGE
10	DISPOSITION DATE	DISPOSITION DATE
11	TYPE DISP.	TYPE DISP.
12	CRT JURIS.	CRT JURIS.
13	SENTENCE IN MONTHS	SENTENCE IN MONTHS
14	SENTENCE IN DAYS	SENTENCE IN DAYS
15	SENT &/OR FINE	SENT &/OR FINE
16	AMOUNT OF FINE	AMOUNT OF FINE
17	PAROLE/PROB.	PAROLE/PROB.
18	PAROLE/PROB. IN MONTHS	PAROLE/PROB. IN MONTHS
19	MILITANT ACTIVIST	MILITANT ACTIVIST
20	TRAFFIC ARRESTS	TRAFFIC ARRESTS
21	TRAFFIC CONVICTIONS	TRAFFIC CONVICTIONS
22	MISDEMEANOR ARRESTS	MISDEMEANOR ARRESTS
23	MISDEMEANOR CONVICTIONS	MISDEMEANOR CONVICTIONS
24	FELONY ARRESTS	FELONY ARRESTS
25	FELONY CONVICTIONS	FELONY CONVICTIONS
26	FILLER	FILLER
27	DISP. FLAG	DISP. FLAG
28	JACKET NO.	JACKET NO.
29	REPORT DATE	REPORT DATE

1	RECORD KEY	ALERT NUMBER
2	TYPE 40	NO. OF ARRESTS THIS PERSON
3	RECORD COUNT	RECORD COUNT
4	ORI	ORI
5	ARREST NUMBER	ARREST NUMBER
6	ARREST DATE	ARREST DATE
7	CHARGE	CHARGE
8	NATURE	NATURE
9	FINAL CHARGE	FINAL CHARGE
10	DISPOSITION DATE	DISPOSITION DATE
11	TYPE DISP.	TYPE DISP.
12	CRT JURIS.	CRT JURIS.
13	SENTENCE IN MONTHS	SENTENCE IN MONTHS
14	SENTENCE IN DAYS	SENTENCE IN DAYS
15	SENT &/OR FINE	SENT &/OR FINE
16	AMOUNT OF FINE	AMOUNT OF FINE
17	PAROLE/PROB.	PAROLE/PROB.
18	PAROLE/PROB. IN MONTHS	PAROLE/PROB. IN MONTHS
19	MILITANT ACTIVIST	MILITANT ACTIVIST
20	TRAFFIC ARRESTS	TRAFFIC ARRESTS
21	TRAFFIC CONVICTIONS	TRAFFIC CONVICTIONS
22	MISDEMEANOR ARRESTS	MISDEMEANOR ARRESTS
23	MISDEMEANOR CONVICTIONS	MISDEMEANOR CONVICTIONS
24	FELONY ARRESTS	FELONY ARRESTS
25	FELONY CONVICTIONS	FELONY CONVICTIONS
26	FILLER	FILLER
27	DISP. FLAG	DISP. FLAG
28	JACKET NO.	JACKET NO.
29	REPORT DATE	REPORT DATE

1	RECORD KEY	ALERT NUMBER
2	TYPE 40	NO. OF ARRESTS THIS PERSON
3	RECORD COUNT	RECORD COUNT
4	ORI	ORI
5	ARREST NUMBER	ARREST NUMBER
6	ARREST DATE	ARREST DATE
7	CHARGE	CHARGE
8	NATURE	NATURE
9	FINAL CHARGE	FINAL CHARGE
10	DISPOSITION DATE	DISPOSITION DATE
11	TYPE DISP.	TYPE DISP.
12	CRT JURIS.	CRT JURIS.
13	SENTENCE IN MONTHS	SENTENCE IN MONTHS
14	SENTENCE IN DAYS	SENTENCE IN DAYS
15	SENT &/OR FINE	SENT &/OR FINE
16	AMOUNT OF FINE	AMOUNT OF FINE
17	PAROLE/PROB.	PAROLE/PROB.
18	PAROLE/PROB. IN MONTHS	PAROLE/PROB. IN MONTHS
19	MILITANT ACTIVIST	MILITANT ACTIVIST
20	TRAFFIC ARRESTS	TRAFFIC ARRESTS
21	TRAFFIC CONVICTIONS	TRAFFIC CONVICTIONS
22	MISDEMEANOR ARRESTS	MISDEMEANOR ARRESTS
23	MISDEMEANOR CONVICTIONS	MISDEMEANOR CONVICTIONS
24	FELONY ARRESTS	FELONY ARRESTS
25	FELONY CONVICTIONS	FELONY CONVICTIONS
26	FILLER	FILLER
27	DISP. FLAG	DISP. FLAG
28	JACKET NO.	JACKET NO.
29	REPORT DATE	REPORT DATE

INDEX NUMBER CU000-07



SECTION	
ARREST PROGRAMS	
DATE ISSUED	DATE REVISED
January 16, 1973	

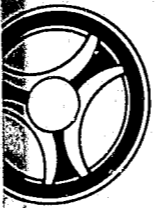
PROGRAMMING DOCUMENTATION

PROGRAM TITLE: CREATE YEAR-TO-DATE ARREST TAPE

DATE OPERATIONAL: January 16, 1973

PURPOSE: CU001 is a program name for a set of control cards that executes a utility program that merges the current monthly arrest tape (CU000T1) with the previous month's year-to-date arrest tape to create the current year-to-date arrest tape (CU001T1).

INDEX NUMBER
CU001-01



SECTION

ARREST PROGRAMS

PROGRAMMING DOCUMENTATION

DATE ISSUED

January 16, 1973

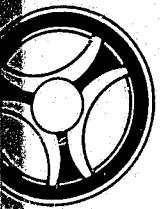
DATE REVISED

PROGRAM TITLE: CREATE BACKUP TAPE

DATE OPERATIONAL: January 16, 1973

PURPOSE: CU002 is an arrest program that simply executes a "ditto" utility (tape to tape copy) for the sole purpose of backing up the year-to-date tape that is created by CU001.

INDEX NUMBER
CU002-01



SECTION

ARREST PROGRAMS

PROGRAMMING DOCUMENTATION

DATE ISSUED

January 16, 1973

DATE REVISED

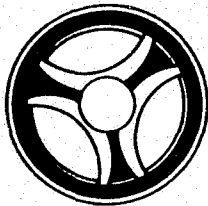
TITLE: MONTHLY JUVENILE ARRESTS BY AGE, RACE AND SEX

DATE OPERATIONAL: January 16, 1973

PURPOSE: To produce a monthly listing of juvenile arrest by charge,
and age, race, and sex of offender.

INDEX NUMBER

CU015-01



PROGRAMMING DOCUMENTATION

SECTION

ARREST PROGRAMS

DATE ISSUED

January 16, 1973

DATE REVISED



PROGRAMMING DOCUMENTATION

SECTION

ARREST PROGRAMS

DATE ISSUED

January 16, 1973

DATE REVISED

I. PROGRAM NARRATIVE

Input to the program is the monthly arrest tape (CU000) and output is a three-page listing. The input is read and accounts of persons arrested under the ages of 17 years are loaded into various subscripted tables. After the entire tape has been read the count information is moved from the subscript tables to print lines and listed out on a three-page report. Each page of the report breaks the juvenile arrests down in a different format. On all three reports the vertical breakdown is by the offense that the arrested juvenile was charged with. The horizontal breakdown of the first report is by the status of the arrestee, such as repeat offender, first offender, on probation, on parole, etc. The second page of the listing is broken horizontally by race, within sex, within age. The age classifications are broken down to under 10 years of age and then each year up to and including 16 years. The third page of the output report is horizontally broken down simply by race within sex. Each page of the output listing also contains subtotals and grand totals.

II. DETAILED DESCRIPTION

BEGIN opens the input tape and the output printer, accepts the date card containing the month for which this report is to be run, and moves zeros to all of the various subscripted tables and counters.

HEADERS writes the various header lines for the first page of the report.

READ-ARRESTS reads the arrest tape and bypasses all records that do not contain the Kansas City, Missouri Police Department originating agency code. It also bypasses all records types other than the arrest statistical record.

MOVE RCD moves the charge to a save area and specific values to the subscriptors for one of the tables based upon the race and sex.

DONE-IT moves the code from the input record that determines what the status of the arrested person is (on probation, on parole, etc.).

PROCESS-ARREST moves values to various subscriptors based upon the offense code and then increments one of the tables using the previously loaded subscriptors as pointers. The information loaded into this table will be used in printing the second of the three reports.

CNT-ADD, PAROLE-CHEK, DISP-CHEK combine to increment a second table based on the subscriptors that were set by the status of the offender. This information will be used in printing out the first of the three reports.

AGE-CHEK, AGE-ADD combine to set the value of a subscriptor based upon the actual age of the offender, whether it be under 10 years of age, 10 years of age, 11 years of age, etc., up through 16 years of age and then add to a third table based upon the subscriptors. This table will be used in printing the third of the three reports. At the end of this paragraph all of the tables have been incremented and control returns to the Read paragraph.

After the entire arrest tape has been read and all the tables have been incremented, control is transferred to the following paragraph.

GT-EQJ sets the subscriptors for the table that prints the first report to the beginning of that table.

RETURNS, DOUBLE-WRITE combine to print the first page of the report.

2ND-REPORT prints the various header lines for the second page of the report.

WRITE-AGES, RETURNA, WRITE-2ND combine to set the subscriptors to the beginning of the second table and print the entire second page of the listing.

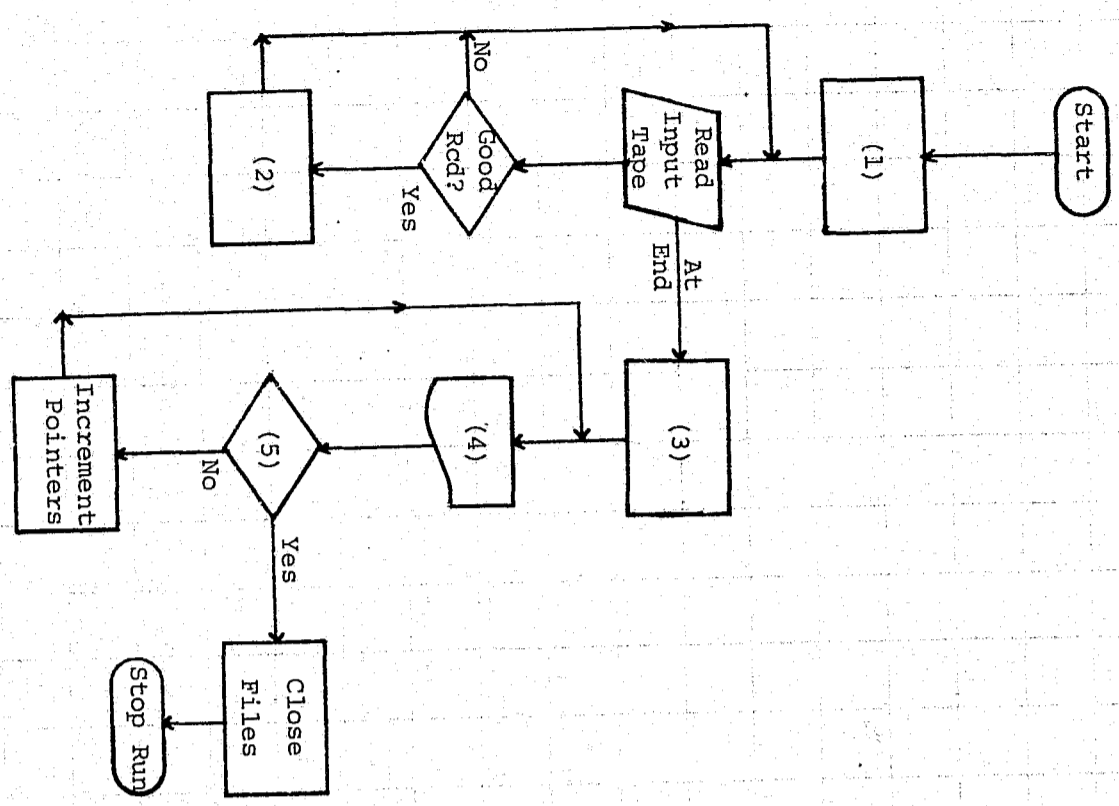
CLEAR-LINE causes the headers for the third page of the report to be printed.

3RD-REPORT, RETURNB, WRITE-3RD combine to set the subscriptors at the beginning of the table for the third page and print the entire third page. These are the ending paragraphs of the program and also cause the input and output files to be closed.

INDEX NUMBER
CU015-

INDEX NUMBER
CU015-03

System No. _____ System Title: _____
 Date Prepared: _____ Prepared By: _____
 Date Approved: _____ Approved By: _____
 Revision Date: _____ Revised By: _____
 INDEX NUMBER
 CU015-05



- (1) Housekeeping, Accept Control Card, Open File
- (2) Set Pointers and Increment Count Tables Based Upon - Race, Sex, Age, Charge Code, and Status of Arrestee
- (3) Set Table Pointers to Beginning
- (4) Print Report Line
- (5) Do Table Pointers Indicate End of Table?

NEW REVISION—SHOW WHY IN 'COMMENTS'

TITLE OF REPORT OR LISTING
 YOUTH UNIT WORK LOAD (CU015L1, CU015L2)

PURPOSE OR FUNCTION IT SERVES
 CU015L1 LISTS TOTAL MONTH JUVENILE ARRESTS BY ARREST CODE, DISPOSITION, AND STATUS OF OFFENDER. CU015L2 LISTS THE NUMBER OF JUVENILE ARRESTS BY CHARGE CODE, AGE, RACE, AND SEX. THESE TWO LISTINGS ARE USED BY THE KANSAS CITY, MISSOURI POLICE DEPARTMENT YOUTH UNIT FOR EVALUATION OF TRENDS IN JUVENILE ARRESTS.

ORIGINATES FROM (SHOW COMPUTER RUN AND/OR MAIN FILE FROM WHICH DATA IS DEVELOPED AND SPAN OF TIME COVERED OR AGE OF DATA)
 THE INFORMATION TO PRODUCE THIS REPORT IS EXTRACTED FROM THE MONTHLY ARREST TAPE (CU000T1).

NO. COPIES _____ FREQUENCY ISSUED
 DAILY WEEKLY MONTHLY

DESIGN FORMAT APPROVED BY _____ DATE _____ RELEASE PERIOD _____

COPY DISTRIBUTION

SENT TO	RETENTION	DISPOSITION
1 KCMOPD YOUTH UNIT (2)		
2 DATA CONTROL (1)		
3		
4		
5		
6		

COMMENTS

INDEX NUMBER
 CU015-05

DETAILED EXPLANATION OF DATA (WHEN PRINTED CAPTIONS ARE NOT SELF EXPLANATORY)

THE FIRST OF THESE TWO REPORTS DISPLAYS A SUBSCRIBED LIST OF COUNTERS BY ARREST CHARGE IN THE LEFT-HAND SIDE OF THE REPORT VERTICALLY, AND HORIZONTALLY BY TOTAL ARRESTS PER CHARGE, STATUS OF ARRESTEE, AND DISPOSITION OF ARREST. TO FURTHER EXPLAIN, LOOK AT THE COPY OF CU015L1 ON THE FOLLOWING PAGE. THE SEVENTH ENTRY ON THE LEFT-HAND SIDE IS BURGLARY, AND READING FROM LEFT TO RIGHT IT IS SEEN THAT THERE WERE 61 TOTAL JUVENILE ARRESTS FOR THAT CRIME, 40 WERE COMMITTED BY REPEAT OFFENDERS, 21 WERE COMMITTED BY FIRST OFFENDERS, NONE WERE COMMITTED UNDER THE NOT STATED COLUMN, TEN (10) WERE COMMITTED BY OFFENDERS THAT WERE ON PROBATION, ZERO (0) WERE COMMITTED BY PEOPLE THAT WERE ON PAROLE. IT ALSO INDICATES THAT 35 OF THESE ARRESTS FOR BURGLARY WERE DISPOSED OF BY JUVENILE COURT, 26 WERE DISPOSED OF BY THE YOUTH UNIT, AND NONE WERE DISPOSED OF UNDER THE NOT STATED COLUMN. THIS LISTING IS BROKEN INTO THREE MAJOR SEGMENTS VERTICALLY. THE FIRST GROUP (MURDER THROUGH AUTO THEFT) CONTAINS THE NUMBER OF ARRESTS FOR PART I CRIMES AND A LINE OF SUBTOTALS IS LISTED DIRECTLY BELOW IT. THE SECOND GROUP (ARSON THROUGH ALL OTHER PART II) COMPRISE ARRESTS FOR PART II OFFENSES AND IT ALSO LISTS A SUBTOTAL. THE LAST ARE CLASSIFIED AS APPREHENSIONS INSTEAD OF ARRESTS, AS NO CRIME HAS ACTUALLY BEEN COMMITTED. A TOTAL IS RUN FOR THE THIRD AND THEN A GRAND TOTAL FOR THE ENTIRE PAGE. THE SECOND OF THE TWO REPORTS (CU015L2) IS BROKEN DOWN VERTICALLY THE SAME AS THE FIRST REPORT. HORIZONTALLY IT IS BROKEN DOWN BY RACE OF OFFENDER WITHIN SEX OF OFFENDER, WITHIN AGE

CONTINUE ON REVERSE SIDE

DESCRIPTION OF COMPUTER REPORT OR LISTING

NEW REVISION—SHOW WHY IN 'COMMENTS'

DATE	ID NO.
------	--------

TITLE OF REPORT OR LISTING YOUTH UNIT WORK LOAD (CU015L1, CU015L2)		
PURPOSE OR FUNCTION IT SERVES		
ORIGINATES FROM (SHOW COMPUTER RUN AND/OR MAIN FILE FROM WHICH DATA IS DEVELOPED AND SPAN OF TIME COVERED OR AGE OF DATA)		
NO. COPIES	FREQUENCY ISSUED <input type="checkbox"/> DAILY <input type="checkbox"/> WEEKLY <input type="checkbox"/> MONTHLY <input type="checkbox"/>	
DESIGN FORMAT APPROVED BY	DATE	RELEASE PERIOD

DETAILED EXPLANATION OF DATA (WHEN PRINTED CAPTIONS ARE NOT SELF EXPLANATORY)

GROUPING. THERE ARE EIGHT (8) AGE GROUPING DIVISIONS; UNDER 10 YEARS OF AGE, AND THEN EACH INDIVIDUAL YEAR UP THROUGH 16 YEARS OF AGE. LOOKING AT THE COPY OF CU015L2 DIRECTLY FOLLOWING CU015L1, AND USING THE SAME EXAMPLE (BURGLARY) IT IS SEEN WHEN READING FROM LEFT TO RIGHT AND DISREGARDING THE ZEROS, THAT THERE WERE THE FOLLOWING ARRESTS FOR BURGLARY BY RACE, SEX AND AGE: ONE (1) WHITE MALE UNDER THE AGE OF 10, ONE (1) WHITE MALE THAT WAS 10 YEARS OF AGE, THREE (3) COLORED MALES THAT WERE 11 YEARS OF AGE, ETC. THIS LISTING IS SUBTOTALLED AND DIVIDED THE SAME AS THE FIRST LISTING. THE SECOND PAGE OF CU015L2 IS SIMPLY A TOTAL OF ALL JUVENILES ARRESTED BROKEN DOWN BY WHITE OR COLORED MALE, AND WHITE OR COLORED FEMALE. IT IS SUBTOTALLED AND DIVIDED THE SAME AS THE OTHER TWO PAGES.

COPY DISTRIBUTION

SENT TO	RETENTION	DISPOSITION
1		
2		
3		
4		
5		
6		

COMMENTS

INDEX
CU015

CONTINUE ON REVERSE SIDE

CU015L1

YOUTH UNIT WORKLOAD
KANSAS CITY MISSOURI POLICE DEPARTMENT
RESTRICTED INFORMATION—FOR KCPD USE ONLY

FOR THE MONTH
MAY 1972

	OFFENDER						DISPOSED OF BY		
	THIS MONTH	REPEAT	1ST	NOT STATED	ON PROBATION	ON PAROLE	JUVENILE COURT	YOUTH UNIT	NOT STATED
MURDER	0	0	0	0	0	0	0	0	0
MANSLAUGHTER	1	1	0	0	0	0	0	0	0
FORCIBLE RAPE	0	0	0	0	0	0	1	0	0
ROBBERY	8	7	1	0	0	0	0	0	0
ASSAULT—AGGRAVATED	22	16	6	0	1	0	8	0	0
ASSAULT—NOT AGGRAVATED	47	23	24	0	0	0	9	13	0
BURGLARY	61	40	21	0	10	2	16	31	0
LARCENY (\$50 & OVER)	26	15	11	0	2	0	35	26	0
LARCENY (UNDER \$50)	95	39	56	0	7	0	15	11	0
AUTO THEFT	30	21	9	0	2	0	48	47	0
*****TOTAL	290	162	128	0	23	2	25	5	0
ARSON	2	2	0	0	0	2	157	133	0
FORGERY & COUNTERFEITING	0	0	0	0	0	0	2	0	0
FRAUD	1	1	0	0	0	0	0	0	0
EMBEZZLEMENT	0	0	0	0	0	0	0	1	0
STOLEN PROPERTY	7	5	2	0	0	0	0	0	0
VANDALISM	29	18	11	0	2	0	2	5	0
WEAPONS	2	1	1	0	0	0	12	17	0
PROSTITUTION	3	2	1	0	0	0	1	1	0
SEX OFFENSES	4	1	3	0	0	0	2	1	0
NARCOTIC LAWS	6	4	2	0	0	0	1	3	0
GAMBLING	3	2	1	0	0	0	3	3	0
OFFENSES VS FAMILY	0	0	0	0	1	0	3	0	0
LIQUOR LAWS	1	1	0	0	0	0	0	0	0
DRUNKENNESS	3	1	2	0	0	0	1	0	0
DISORDERLY CONDUCT	38	22	16	0	0	0	2	1	0
VAGRANCY	2	1	1	0	3	0	12	26	0
ALL OTHER PART II	46	31	15	0	2	1	0	2	0
*****TOTAL	147	92	55	0	8	1	27	19	0
INCORRIGIBLE	16	7	9	0	0	1	68	79	0
RUNAWAY	40	28	12	0	0	1	13	3	0
TRUANCY	0	0	0	0	9	1	30	10	0
MENTALS	0	0	0	0	0	0	0	0	0
NEGLECTED AND ABANDONED	0	0	0	0	0	0	0	0	0
PROTECTIVE CUSTODY	25	6	19	0	0	0	0	0	0
LOST	1	1	0	0	0	0	20	5	0
*****TOTAL	82	42	40	0	9	2	1	0	0
*****GRAND TOTAL	519	296	223	0	40	5	289	230	0

INDEX NUMBER
CU015-07

CU015L2

JUVENILES PROCESSED - AGE, SEX, AND RACE
KANSAS CITY MISSOURI POLICE DEPARTMENT
RESTRICTED INFORMATION-FOR KCPD USE ONLY

FOR THE MONTH
MAY 1972

	UNDER 10		10		11		12		13		14		15		16		
	M	F	M	F	M	F	M	F	M	F	M	F	M	F	M	F	
	W	C	W	C	W	C	W	C	W	C	W	C	W	C	W	C	W
MURDER	0	0	0	0	0	0	0	0	0	0	0	0	0	0	0	0	
MANSLAUGHTER	0	0	0	0	0	0	0	0	0	0	0	0	0	1	0	0	
FORCIBLE RAPE	0	0	0	0	0	0	0	0	0	0	0	0	0	0	0	0	
ROBBERY	0	0	0	0	0	0	0	0	1	0	0	2	0	1	0	0	
ASSAULT-AGGRAVATED	0	0	0	0	0	0	1	1	0	0	1	0	0	0	4	2	
ASSAULT-NOT AGGRAVATED	1	2	0	0	1	0	1	0	0	2	4	1	0	3	2	1	
BURGLARY	1	0	0	0	1	0	0	0	3	3	0	0	6	6	1		
LARCENY (\$50 & OVER)	0	2	0	0	0	1	0	1	0	3	0	0	2	2	0		
LARCENY (UNDER \$50)	0	2	0	0	2	1	0	0	5	2	0	1	4	8	1		
AUTO THEFT	0	0	0	0	0	0	0	0	0	0	0	2	1	0	0		
*****TOTAL	2	6	0	0	4	2	1	1	10	7	0	2	11	10	3		
ARSON	0	0	0	0	0	0	0	0	0	0	0	0	0	0	0		
FORGERY & COUNTERFEITING	0	0	0	0	0	0	0	0	0	0	0	0	0	0	0		
FRAUD	0	0	0	0	0	0	0	0	0	1	0	0	0	0	0		
EMBEZZLEMENT	0	0	0	0	0	0	0	0	0	0	0	0	0	0	0		
STOLEN PROPERTY	0	0	0	0	0	1	0	0	0	1	0	0	0	2	0		
VANDALISM	3	1	0	0	0	0	0	0	2	1	0	0	2	3	0		
WEAPONS	0	0	0	0	0	0	0	0	0	1	0	0	0	0	0		
PROSTITUTION	0	0	0	0	0	0	0	0	0	0	0	0	1	0	0		
SEX OFFENSES	0	2	0	0	0	0	0	0	0	0	0	0	1	0	0		
NARCOTIC LAWS	0	0	0	0	0	0	0	0	0	0	0	0	1	0	0		
GAMBLING	0	0	0	0	0	0	0	0	0	0	0	0	0	0	0		
OFFENSES VS FAMILY	0	0	0	0	0	0	0	0	0	0	0	0	0	0	0		
LIQUOR LAWS	0	0	0	0	0	0	0	0	0	0	0	0	0	0	0		
DRUNKENNESS	0	0	0	0	0	0	0	0	0	0	0	0	1	0	0		
DISORDERLY CONDUCT	0	0	0	0	1	0	0	0	0	0	0	0	3	2	0		
VAGRANCY	0	0	0	0	0	0	0	0	0	0	0	0	0	2	0		
ALL OTHER PART II	0	1	0	0	0	0	0	0	0	1	1	0	0	4	1		
*****TOTAL	3	4	0	0	1	1	0	0	0	1	0	0	3	5	1		
INCORRIGIBLE	1	0	0	0	0	1	0	0	0	0	0	0	0	2	0		
RUNAWAY	0	0	0	0	0	0	0	0	0	1	1	1	1	0	1		
TRUANCY	0	0	0	0	0	0	0	0	0	0	0	0	0	0	0		
MENTALS	0	0	0	0	0	0	0	0	0	0	0	0	0	0	0		
NEGLECTED AND ABANDONED	0	0	0	0	0	0	0	0	0	0	0	0	0	0	0		
PROTECTIVE CUSTODY	0	9	3	3	0	0	0	0	0	0	1	0	0	1	0		
LOST	0	0	0	1	0	0	0	0	0	0	0	0	0	0	0		
*****TOTAL	1	9	3	4	0	1	0	0	0	0	1	2	1	1	2		
*****GRAND TOTAL	6	19	3	4	5	4	1	1	10	8	0	2	14	16	6		

INDEX NUMBER
CU015-09

CU015L2

JUVENILES PROCESSED - AGE, SEX, AND RACE
KANSAS CITY MISSOURI POLICE DEPARTMENT
RESTRICTED INFORMATION-FOR KCPD USE ONLY

FOR THE MONTH
MAY 1972

	TOTAL UNDER 17			
	MALE		FEMALE	
	W	C	W	C
MURDER	0	0	0	0
MANSLAUGHTER	0	1	0	0
FORCIBLE RAPE	0	0	0	0
ROBBERY	5	3	0	0
ASSAULT-AGGRAVATED	4	6	0	12
ASSAULT-NOT AGGRAVATED	17	19	5	6
BURGLARY	29	23	5	4
LARCENY (\$50 & OVER)	4	21	0	1
LARCENY (UNDER \$50)	24	31	15	25
AUTO THEFT	12	18	0	0
*****TOTAL	95	122	25	48
ARSON	0	1	0	1
FORGERY & COUNTERFEITING	0	0	0	0
FRAUD	0	1	0	0
EMBEZZLEMENT	0	0	0	0
STOLEN PROPERTY	0	6	0	1
VANDALISM	10	17	1	1
WEAPONS	1	1	0	0
PROSTITUTION	2	1	0	0
SEX OFFENSES	1	3	0	0
NARCOTIC LAWS	6	0	0	0
GAMBLING	0	3	0	0
OFFENSES VS FAMILY	0	0	0	0
LIQUOR LAWS	1	0	0	0
DRUNKENNESS	1	1	1	0
DISORDERLY CONDUCT	19	12	0	7
VAGRANCY	0	2	0	0
ALL OTHER PART II	6	23	8	9
*****TOTAL	47	71	10	19
INCORRIGIBLE	5	4	6	1
RUNAWAY	7	5	23	5
TRUANCY	0	0	0	0
MENTALS	0	0	0	0
NEGLECTED AND ABANDONED	0	0	0	0
PROTECTIVE CUSTODY	2	10	10	3
LOST	0	0	0	1
*****TOTAL	14	19	39	10
*****GRAND TOTAL	156	212	74	77

INDEX NUMBER
CU015-09



PROGRAMMING DOCUMENTATION

SECTION

ARREST PROGRAMS

DATE ISSUED

DATE REVISED

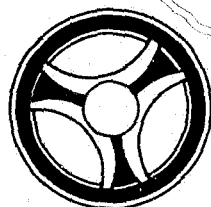
January 16, 1973

TITLE: ARRESTS BY BEAT

DATE OPERATIONAL: January 16, 1973

PURPOSE: To provide a monthly listing of all arrests other than traffic that occurred in the city limits of Kansas City, Missouri, broken down by beat of occurrence, and arrest charge.

INDEX NUMBER
CU016-01



PROGRAMMING DOCUMENTATION

SECTION
ARREST PROGRAMS

DATE ISSUED
January 16, 1973

DATE REVISED



PROGRAMMING DOCUMENTATION

SECTION
ARREST PROGRAMS

DATE ISSUED
January 16, 1973

DATE REVISED

I. PROGRAM NARRATIVE

CUØ16 reads the monthly arrest tape (CUØØØT1) and extracts the arrest code and beat of occurrence from all arrest records with the Kansas City, Missouri originating agency code and moves them to a Sort area. After the entire input tape has been read the records are sorted by beat of occurrence. As the records are returned from the Sort counts of the number of each of 26 types of arrests are tabulated within each individual beat which is accomplished by the use of a subscripted table. When all the sorted records have been tabulated the subscriptors are set to the beginning of the table and the entire listing is printed. The report is broken down vertically by beat of occurrence and horizontally by the charge code. At the bottom of the last page of the listing is a table of arrests charge codes.

II. DETAILED DESCRIPTION

The input and output files are opened, zeros are moved to various subscripted tables and counters, a control card is accepted containing the month that this report is to be run for, and the Sort file is initiated.

READ-A-RECORD reads the input arrest tape and selects only arrest statistical type records with an originating agency code of "MOKPDØØ". All other records cause control to be returned to the top of the paragraph.

SAVE-IT1, SAVE-IT2 combine to move the arrest code and the beat of occurrence to a Sort area and release the record to the Sort file. Control is returned to READ-A-RECORD.

The above three paragraphs are repeated until the entire input tape has been read and all the necessary records selected. At that point the Sort is executed and the records are sorted by beat of occurrence. The Sort will allow the records to be separated by individual beat within one of the three eight-hour patrol shifts within one of the three major patrol divisions (central patrol division, south patrol division, and northeast patrol division).

WRITE-LISTING causes the heading to be printed on the first page of the output listing by performing a paragraph entitled HEADINGS.

RETURN-SORT moves initial values to subscriptors and counters and returns the first record from the Sort. The beat of occurrence in that first record is moved to a save area for later comparison and control is transferred to the paragraph entitled BUILD-RECORDS.

RETURN-SORT-AGAIN returns the remaining Sort records and compares the beat of occurrence contained in each record against the previously saved beat. If the compare is equal control falls through to the next paragraph but if the compare indicates a beat change control is transferred to the paragraph entitled WRITE-IT. A second compare is performed in this paragraph which separates the watch and major patrol division so that totals for each of these can be printed. When this occurs control is transferred to the paragraph entitled NEW-TOTAL.

BUILD-RECORDS, ADD-ROUT combine to tabulate and format the arrests made within each beat and add to the appropriate table. Return goes to the paragraph entitled RETURN-SORT-AGAIN.

EOJB. This is the paragraph that is branched to when the last record is returned from the Sort and its function is to print the grand total of all arrests on the last page of the listing and then to print the arrest table that indicates what each charge code means. After this is done the input and output files are closed and a normal end-of-job message is displayed upon the console.

NEW-TOTAL, LAST-TOTAL, LAST-TIME. These three paragraphs comprise the routine that is branched to whenever a shift change or patrol division change is indicated back in the return Sort paragraph and its function is to print totals for each shift break or patrol division break. It also performs the paragraph entitled HEADINGS when necessary and transfers control back to the paragraph entitled BUILD-RECORDS.

WRITE-IT is the paragraph that is branched to when an individual beat change is indicated back in the return Sort paragraph. The function of this paragraph simply is to print each individual line of arrests within a single beat. Control returns to the paragraph entitled BUILD-RECORDS.

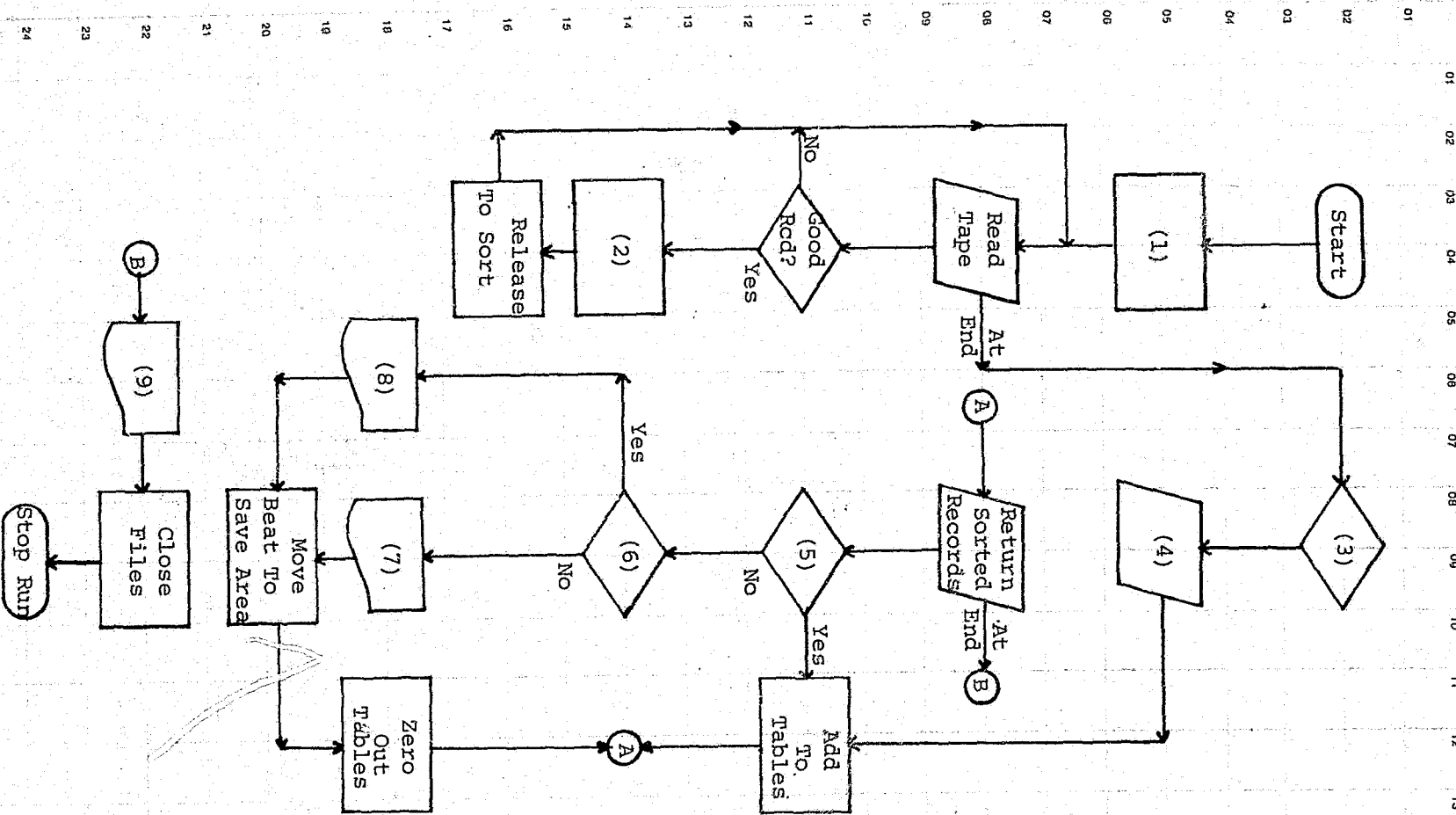
MOVE-IT, MOVE-IT2, MOVE-IT3. These three paragraphs are performed individually at different places throughout the program and their function is to move the accumulated counts for each of the 26 charge codes which will be printed horizontally across the face of the listing.

HEADINGS is the performed paragraph that causes the correct header lines to be printed at the top of each individual page of the listing.

INDEX NUMBER
CUØ16-f

INDEX NUMBER
CUØ16-Ø3

FLOWCHART



- (1) Housekeeping, Open File Accept Control Card
- (2) Move Arrest Code and Zone/Watch/Beat of Occurrence to Sort Record.
- (3) Records are Sorted by Beat Within Watch Within Zone.
- (4) Return First Record for sort. Also the Table Subscriptors are Initialized and the Beat Contained in the First Record is Moved to A Area.
- (5) Does Beat = Saved Beat?
- (6) Has Zone or Watch Changed from Previous Record?
- (7) Print Beat Line.
- (8) Print Beat Line and Zone/Watch Total.
- (9) Print Grand Total and Charge Code Conversion Table.

System No. _____ System Title: _____
 Date Prepared: _____ Prepared By: _____
 Date Approved: _____ Approved By: _____
 Revision Date: _____ Revised By: _____
 INDEX NUMBER
 CUØ16-Ø4

NEW REVISION—SHOW WHY IN 'COMMENTS'

TITLE OF REPORT OR LISTING
ARRESTS BY PATROL BEAT BY ORIGINAL CHARGE (CUØ16L1)

PURPOSE OR FUNCTION IT SERVES
 THIS LISTING IS USED BY KANSAS CITY, MISSOURI POLICE DEPARTMENT SUPERVISORY PERSONNEL TO EVALUATE THE NUMBER OF MONTHLY ARRESTS MADE IN KANSAS CITY, MISSOURI BY INDIVIDUAL BEAT.

ORIGINATES FROM (SHOW COMPUTER RUN AND/OR MAIN FILE FROM WHICH DATA IS DEVELOPED AND SPAN OF TIME COVERED OR AGE OF DATA)
 THE INFORMATION NECESSARY TO PRODUCE THIS LISTING IS EXTRACTED FROM THE MONTHLY ARREST TAPE (CUØØØT1).

NO. COPIES _____ FREQUENCY ISSUED
 DAILY WEEKLY MONTHLY

DESIGN FORMAT APPROVED BY _____ DATE _____ RELEASE PERIOD _____

DETAILED EXPLANATION OF DATA (WHEN PRINTED CAPTIONS ARE NOT SELF EXPLANATORY)

CUØ16L1 IS A FIVE-PAGE LISTING BROKEN DOWN VERTICALLY BY A FOUR-DIGIT CODE INDICATING THE WATCH, ZONE, AND BEAT IN WHICH THE ARREST WAS MADE, AND HORIZONTALLY BY A TWO-DIGIT CODE INDICATING THE ARREST CHARGE CODE. THE FOUR-DIGIT VERTICAL CODE IS BROKEN DOWN AS FOLLOWS: THE FIRST DIGIT INDICATES THE WATCH (WHICH OF THE THREE EIGHT-HOUR WORK SHIFTS DURING WHICH THE ARREST WAS MADE). THE NUMERAL 1 IN THIS POSITION INDICATES THE WORK SHIFT FROM MIDNIGHT UNTIL 8:00 A.M., THE NUMERAL 2 INDICATES 8:00 A.M. TO 4:00 P.M., NUMERAL 3 INDICATES 4:00 P.M. TO MIDNIGHT. THE SECOND CHARACTER IN THE FOUR-DIGIT CODE INDICATES THE ZONE IN WHICH THE ARREST WAS MADE; THE NUMERAL 1 IN THIS POSITION INDICATES CENTRAL PATROL DIVISION, NUMERAL 2 INDICATES SOUTH PATROL DIVISION, NUMERAL 3 INDICATES NORTHEAST PATROL DIVISION. THE LAST TWO CHARACTERS IN THE FOUR-DIGIT CODE INDICATE THE BEAT WITHIN THE ZONE IN WHICH THE ARREST WAS MADE. THE HORIZONTAL BREAKDOWN (ARREST CHARGE CODE) IS TRANSLATED BY LOOKING AT THE LAST PAGE OF THE REPORT WHERE A CONVERSION TABLE HAS BEEN PRINTED. SUBTOTALS ARE PRINTED AT THE END OF EACH WATCH, AND A GRAND TOTAL IS LISTED ON THE LAST PAGE.

CONTINUE ON REVERSE SIDE

COPY DISTRIBUTION

SENT TO	RETENTION	DISPOSITION
1 DATA CONTROL UNIT (1)		
2 DIVISION COMMANDERS (3)		
3		
4		
5		
6		

COMMENTS

INDEX NUMBER
 CUØ16-Ø5

KANSAS CITY MISSOURI POLICE DEPARTMENT
RESTRICTED INFORMATION - FOR KCMOPD USE ONLY
ARRESTS BY PATROL BEAT BY ORIGINAL CHARGE
MAY 1972

Table with columns BEAT, 1A-26 and rows 1111-1155, 2111-2154, 3111-3114. Includes a 'TOTAL' row for each group and a 'GRAND TOTAL' row at the bottom.

INDEX NUMBER
CU016-66

KANSAS CITY MISSOURI POLICE DEPARTMENT
RESTRICTED INFORMATION - FOR KCMOPD USE ONLY
ARRESTS BY PATROL BEAT BY ORIGINAL CHARGE
MAY 1972

Table with columns BEAT, 1A-26 and rows 3342-3355. Includes a 'TOTAL' row for each group and a 'GRAND TOTAL' row at the bottom.

TABLE OF ARREST CHARGE CODES

- 1A MURDER & NON-NEG. MANS.
1B MANSLAUGHTER BY NEG.
02 RAPE
03 ROBBERY
04 ASSAULT-AGGRAVATED
05 BURGLARY
06 LARCENY
07 AUTO THEFT
08 OTHER ASSAULTS
09 ARSON
10 FORGERY & COUNTERFEITING
11 FRAUD
12 EMBEZZLEMENT
13 STOLEN PROPERTY
14 VANDALISM
15 WEAPONS
16 PROSTITUTION
17 SEX OFFENSES
18 NARCOTICS LAWS
19 GAMBLING
20 OFFENSES AGAINST FAMILY
22 LIQUOR LAWS
23 DRUNKENNESS
24 DISORDERLY CONDUCT
25 VAGRANCY
26 ALL OTHER EXCEPT TRAFFIC

INDEX NUMBER
CU016-67



SECTION

ARREST PROGRAMS

PROGRAMMING DOCUMENTATION

DATE ISSUED

DATE REVISED

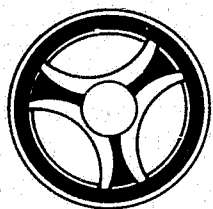
January 16, 1973

TITLE: ARRESTS BY TIME OF DAY

DATE OPERATIONAL: January 16, 1973

PURPOSE: To provide a listing of counts of all arrests made during a one month period by time of day and charge code.

INDEX NUMBER
CU017-01



PROGRAMMING DOCUMENTATION

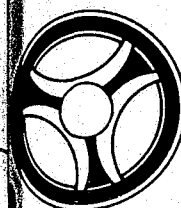
SECTION

ARREST PROGRAMS

DATE ISSUED

January 16, 1973

DATE REVISED



PROGRAMMING DOCUMENTATION

SECTION

ARREST PROGRAMS

DATE ISSUED

January 16, 1973

DATE REVISED

I. PROGRAM NARRATIVE

Input to this program is the monthly arrest tape (CU0000T1). The tape is read and the charge code and time of arrest are extracted from all arrest statistical records and loaded into a Sort. The information is sorted by time of arrest and upon return from the Sort a subscripted table is created containing counts of the arrests that occurred during the month by hour of the day. The listing is printed a line at a time from the subscripted table as the hour changes. The report contains only one page and at the bottom of the page is a table of arrest charge codes used to translate the numeric charge code into a meaningful literal.

II. DETAILED DESCRIPTION

The input and output files are opened, a control card is accepted containing the month for which this report is to be run, and the Sort file is initiated.

READ-A-RECORD reads the arrest tape and selects only arrest statistical records containing the Kansas City, Missouri Police Department originating agency code and if other than that type of record is read control is transferred back to the beginning of the paragraph.

SAVE-IT selects the hour and the charge from the statistical record, moves it to the Sort area and releases it to the Sort. Control is returned to READ-A-RECORD.

EOJA is the paragraph branched to when the last record of the input tape has been read. This paragraph causes the Sort to be executed and the records are sorted by hour of arrest.

WRITE-LISTING this program moves zeros to the subscripted table and performs the paragraph entitled HEADINGS.

RETURN-SORT returns the first sorted record and moves the hour from that record to a save area. Control is transferred to paragraph entitled BUILD-RECORDS.

RETURN-AGAIN returns the remainder of the sorted records and at end transfers control to the paragraph entitled EOJB.

RETURNX compares the hour contained in the currently read record to the one previously saved and if different, control is transferred to the paragraph entitled PREPARE-LIST.

BUILD-RECORDS moves the appropriate value to the subscriptor of the table based upon the charge code.

ADD-ROU adds one to the charge table and one to the total table using the previously set subscript as a guide.

PREPARE-LIST moves the correct time indicator literal to the print line based upon the hour of occurrence.

HOLD-IT, WRITE-IT, ONCE-MORE. These three paragraphs combine to format and print a single line on the listing. After the first line has been printed the result is that we have now tabulated and printed the total number of arrests made in a single month between the hours of midnight and one o'clock in the morning. At this point the first record of the next hour has been read and is moved to the save area for compares in the paragraph entitled RETURNX. And control is also returned to that paragraph.

HEADINGS is a performed paragraph which prints the headings at the top of the page.

MOVE-IT is a performed paragraph which causes the counts for each of the 26 charge codes to be tabulated correctly and moved to the appropriate spot on the print line.

MOVE-IT1 performs the exact function as the above paragraph except it is for the total line only.

EOJB, TRY-AGAIN, NEXTX. The first of these three paragraphs is the one that is branched to when the last record has been returned from the Sort. The three of them combine to print the final hour of the day arrests counts, and the grand total of all charges regardless of time of day. They also cause the table of arrest charge codes to be printed at the bottom of the page.

EOJX causes the input and output files to be closed.

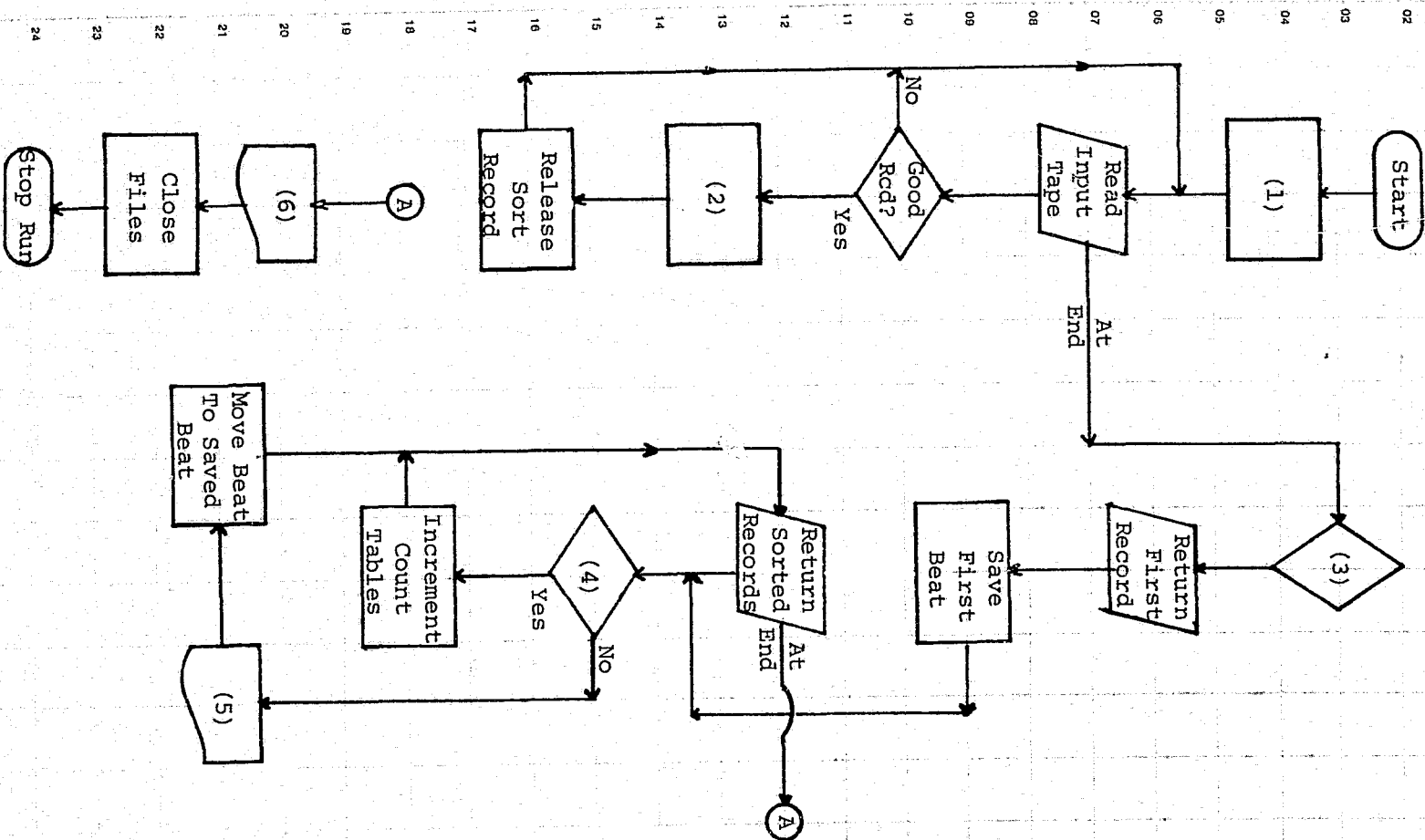
INDEX NUMBER
CU017-02

INDEX NUMBER
CU017-03

FLOWCHART

DESCRIPTION

- (1) Housekeeping, Accept Control Card, Open Files
- (2) Move Charge Code and Beat of Occurrence To Sort Record
- (3) Sort By Beat
- (4) Beat = Saved Beat?
- (5) Print Line On Listing
- (6) Print Total Line and Arrest Table



System No. _____ System Title: _____
 Date Prepared: _____ Prepared By: _____
 Date Approved: _____ Approved By: _____
 Revision Date: _____ Revised By: _____
 INDEX NUMBER
 CU017-04

NEW REVISION—SHOW WHY IN 'COMMENTS'

TITLE OF REPORT OR LISTING ARRESTS BY TIME OF DAY AND ORIGINAL CHARGE - CU017L1	
PURPOSE OR FUNCTION IT SERVES TO PROVIDE POLICE DEPARTMENT COMMANDERS THE ABILITY TO EVALUATE THE NUMBER OF ARRESTS MADE BY TIME OF DAY.	
ORIGINATES FROM (SHOW COMPUTER RUN AND/OR MAIN FILE FROM WHICH DATA IS DEVELOPED AND SPAN OF TIME COVERED OR AGE OF DATA) THE INFORMATION NECESSARY TO PRODUCE THIS PROGRAM IS EXTRACTED FROM THE MONTHLY ARREST TAPE (CU000T1).	
NO. COPIES	FREQUENCY ISSUED <input type="checkbox"/> DAILY <input type="checkbox"/> WEEKLY <input checked="" type="checkbox"/> MONTHLY <input type="checkbox"/>
DESIGN FORMAT APPROVED BY	DATE
RELEASE PERIOD	

DETAILED EXPLANATION OF DATA (WHEN PRINTED CAPTIONS ARE NOT SELF EXPLANATORY)

THIS IS A SINGLE PAGE REPORT BROKEN DOWN VERTICALLY BY TIME OF DAY IN ONE-HOUR INCREMENTS, AND HORIZONTALLY BY ARREST CHARGE CODE. A TABLE AT THE BOTTOM OF THE PAGE TRANSLATES THE CHARGE CODE INTO MEANINGFUL INFORMATION. BY LOOKING AT THE COPY OF THE REPORT ON THE FOLLOWING PAGE AND READING FROM LEFT TO RIGHT ON THE FIRST LINE UNDER THE CHARGE CODES, IT IS SEEN THAT BETWEEN THE HOURS OF 1:00 AND 2:00 A.M. ZERO ARRESTS WERE MADE FOR MURDER AND NON-NEGLIGENT MAN-SLAUGHTER, FOUR (4) WERE MADE FOR ASSAULT, ETC. THE COUNTS INDICATED REFLECT THE TOTAL ARRESTS FOR THE MONTH OF FEBRUARY 1973 THAT WERE MADE IN THESE DIFFERENT ONE-HOUR TIME INCREMENTS. THE TOTAL LINE INDICATES THE NUMBER OF ARRESTS BY CHARGE EFFECTED DURING THE MONTH OF FEBRUARY.

CONTINUE ON REVERSE SIDE

COPY DISTRIBUTION

SENT TO	RETENTION	DISPOSITION
1 TWO (2) COPIES SENT TO THE DATA CONTROL UNIT. ONE (1) COPY IS FILED, AND THE OTHER IS XEROXED AND DISTRIBUTED TO VARIOUS COMMAND PERSONNEL.		
2		
3		
4		
5		
6		

COMMENTS

INDEX NUMBER
CU017-05

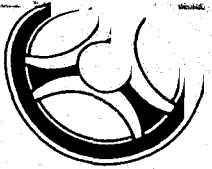
KANSAS CITY MISSOURI POLICE DEPARTMENT
 ****RESTRICTED INFORMATION - FOR KCMOPD USE ONLY****
 ARRESTS BY TIME OF DAY AND ORIGINAL CHARGE
 MAY 1972

TIME	1A	1B	02	03	04	05	06	07	08	09	10	11	12	13	14	15	16	17	18	19	20	22	23	24	25	26
01-02	0	0	0	0	4	11	3	7	19	1	0	1	1	0	8	3	19	3	12	28	2	3	26	25	1	33
02-03	0	0	0	0	2	7	4	1	13	3	0	0	0	3	3	10	15	0	6	0	0	2	21	19	0	30
03-04	0	0	1	0	3	1	0	3	5	0	0	0	0	0	1	3	3	1	7	1	0	0	7	5	0	15
04-05	0	0	1	1	0	3	1	1	3	0	0	1	0	0	0	1	0	0	1	0	0	0	2	8	0	7
05-06	0	0	0	0	0	1	0	2	2	0	0	0	0	1	2	0	0	0	0	0	0	0	2	4	0	12
06-07	0	0	1	2	2	2	0	1	1	0	0	1	0	1	1	0	0	0	0	0	0	0	1	4	0	5
07-08	0	0	1	0	0	0	1	0	2	0	0	0	0	0	0	0	0	1	0	0	1	0	2	3	0	13
08-09	0	0	0	0	0	6	3	1	3	0	1	1	0	0	0	0	0	1	0	0	1	1	3	10	0	60
09-10	0	0	2	0	3	9	7	5	8	0	3	2	0	0	9	3	0	2	1	0	3	1	4	13	1	45
10-11	0	0	1	0	5	5	17	4	10	0	2	3	0	0	1	1	3	3	8	0	1	3	8	9	0	51
11-12	0	1	0	1	2	4	23	5	14	0	0	2	0	1	5	2	2	2	3	1	3	2	5	9	2	66
12-13	0	0	1	1	2	6	25	5	8	0	1	0	0	0	0	2	2	1	9	4	0	0	18	16	0	71
13-14	0	0	1	3	1	7	36	5	6	0	2	5	0	1	2	0	4	1	6	14	3	0	4	10	0	54
14-15	0	0	0	0	6	6	29	5	7	0	0	3	0	3	1	0	2	0	8	0	1	0	8	23	0	46
15-16	1	0	0	0	2	7	24	3	14	0	2	2	0	0	5	3	3	2	8	0	2	3	16	28	0	58
16-17	0	0	0	4	4	6	29	4	13	0	0	8	0	2	1	2	2	2	4	3	1	2	16	9	1	52
17-18	0	0	0	2	4	8	22	4	26	0	0	1	0	1	3	5	2	0	6	0	1	6	16	24	1	49
18-19	0	0	1	2	6	2	23	1	13	0	0	2	0	0	5	2	0	1	6	4	2	4	20	18	0	52
19-20	0	0	0	3	3	3	15	2	20	0	0	3	0	0	1	5	4	1	6	1	4	2	24	23	0	45
20-21	0	0	1	1	5	13	16	2	27	0	2	3	0	1	4	6	1	1	8	20	1	8	39	33	1	43
21-22	0	0	2	3	4	9	22	1	23	0	0	4	0	1	5	5	3	1	7	26	2	6	32	29	0	46
22-23	0	0	0	4	3	10	10	1	31	0	0	4	0	2	1	2	7	1	10	57	0	3	29	24	0	45
23-24	0	0	0	4	4	8	10	1	18	0	2	1	0	0	1	5	5	0	7	20	3	1	21	31	0	27
24-01	0	0	0	0	1	4	3	0	10	0	0	1	0	1	1	1	7	0	1	4	1	2	32	8	0	24
TOTAL	1	1	13	31	66	138	323	64	296	4	15	48	1	18	60	61	84	24	124	183	32	49	356	385	7	949

TABLE OF ARREST CHARGE CODES

1A MURDER & NON-NEG. MANS.	07 AUTO THEFT	14 VANDALISM	22 LIQUOR LAWS
1B MANSLAUGHTER BY NEG.	08 OTHER ASSAULTS	15 WEAPONS	23 DRUNKENNESS
02 RAPE	09 ARSON	16 PROSTITUTION	24 DISORDERLY CONDUCT
03 ROBBERY	10 FORGERY & COUNTERFEITING	17 SEX OFFENSES	25 VAGRANCY
04 ASSAULT-AGGRAVATED	11 FRAUD	18 NARCOTICS LAWS	26 ALL OTHER EXCEPT TRAFFIC
05 BURGLARY	12 EMBEZZLEMENT	19 GAMBLING	
06 LARCENY	13 STOLEN PROPERTY	20 OFFENSES AGAINST FAMILY	

INDEX NUMBER
CU017-01



PROGRAMMING DOCUMENTATION



SECTION

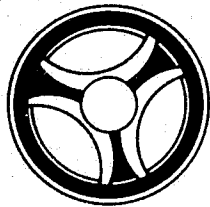
ARREST PROGRAMS

DATE ISSUED
January 16, 1973

DATE REVISED

TITLE: MONTHLY ARRESTS BY AGE, RACE AND SEX
 DATE OPERATIONAL: January 16, 1973
 PURPOSE: To produce a two-part listing of all arrests made in the Kansas City, Missouri city limits; the first part concerning only individuals under 18 years of age, and the second concerning individuals 18 and over.

INDEX NUMBER
CU018-01



PROGRAMMING DOCUMENTATION

SECTION

ARREST PROGRAMS

DATE ISSUED

January 16, 1973

DATE REVISED



PROGRAMMING DOCUMENTATION

SECTION

ARREST PROGRAMS

DATE ISSUED

January 16, 1973

DATE REVISED

I. PROGRAM NARRATIVE

Input to this program is the monthly arrest tape (CU000T1) and the output is a two-part listing. The input tape is read and the only arrest statistical records with Kansas City, Missouri Police Department originating agency code are accepted. Various subscripted tables are incremented based upon the race, sex and age of the person arrested, and the offense code. The entire tape is read and all of the subscripted tables are incremented with the various counts and then control is transferred to the print routine which resets all the subscriptors to the beginning of the tables and the entire listing is printed.

II. DETAILED DESCRIPTION

The input and output files are opened and zeros are moved to the various accumulation tables.

READ-IN reads the input arrest tape and bypasses all records other than arrest statistical records with an ORI code of "M0KPD00". This paragraph also sets a subscriptor based upon whether the age of the arrestee is less than or greater than 18.

LOAD-ALIGNERS sets a vertical subscriptor based upon the arrest code.

ADJ-AGE causes the correct value to be moved to the age aligner subscriptor based upon the various age categories used within the program.

CK-SEX sets the correct subscriptor based upon the sex of the person arrested.

CK-RACE performs the same function as the above paragraph based upon the race code.

FOUND-RACE, EXTRA-ADD combine to add to all of the necessary tables based upon the previously set subscriptors. Control is then transferred back to the paragraph entitled READ-IN.

The above described paragraphs are repeated until the entire input tape is read and the various tables loaded with the counts of the monthly arrests. Control is then transferred to the following paragraphs.

PRINT-OUT-ROUTINE accepts the control card containing the month for which this report is to be run and moves it to the output area. Spaces are moved to the detail line and the vertical subscriptor is set to 1.

INDEX NUMBER
CU018-02

HEADER-ROUTINE is a performed paragraph which prints the header for the first of the two listings.

CYCLE, MOVING-ACCUM-TABLE-OUT. These two paragraphs combine to increment the various subscriptors and move the count data to the print area of the first report.

PRINT-DETAIL actually causes each line of data to be printed on the first of the two listings. This paragraph also checks line counters and performs the header routine when necessary. This and the preceding two paragraphs are repeated until the entire first portion of the report is printed and at that time control is transferred to the following paragraph.

END-JUVENILE is the paragraph that sets the headers and resets the accumulation table subscriptors so that the second portion of the listing is ready to be printed.

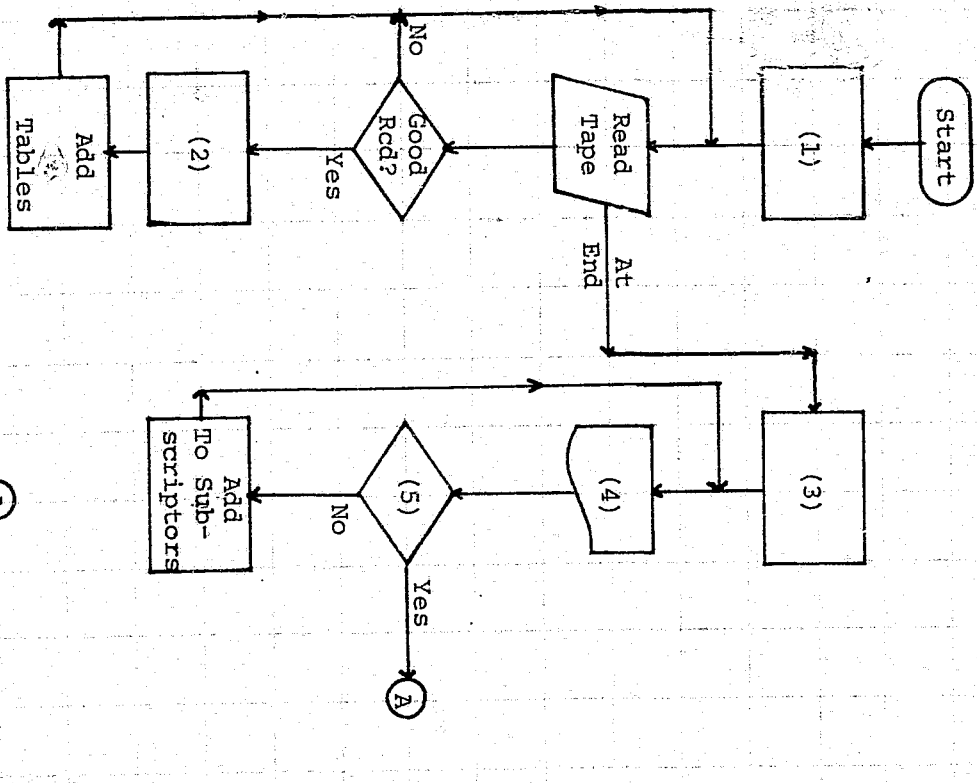
HEADING-ROUTINE is a performed paragraph which prints the header at the top of each page of the second portion of the listing.

MOVE-OFF-HEADINGS, LAST-PRINT, SET-VERT-AND-HZNTL, FILL-DET. These five paragraphs combine to increment the various subscriptors and move the count data from the accumulation tables to the print line.

PRINT-DETAIL-LINE is the paragraph that actually prints the second portion of the report. This paragraph and the preceding five are repeated until the entire listing is printed and at that time control is transferred to the following paragraph.

END-JOB closes the input and output files and displays a normal end-of-job message upon the console.

INDEX NUMBER
CU018-03



- (1) Open Files, Zero Out Tables.
- (2) Set Table Subscribers Based On Age, Race, Sex of Arrestee and Charge.
- (3) Set Subscribers To Beginning of First Table.
- (4) Print First Report.
- (5) Has Last Line of First Report been Printed yet?
- (6) Set Subscribers To Beginning of Second Table.
- (7) Print Second Report.
- (8) Has Last Line of Second Report Been Printed?

NEW REVISION—SHOW WHY IN 'COMMENTS'

TITLE OF REPORT OR LISTING
 AGE, SEX AND RACE OF PERSONS ARRESTED (CU018L1, CU018L2)

PURPOSE OR FUNCTION IT SERVES
 THIS TWO-PART REPORT PROVIDES COMMAND STAFF PERSONNEL THE ABILITY TO EVALUATE THE MONTHLY ARREST ACTIVITY BY AGE, SEX AND RACE OF PERSONS ARRESTED.

ORIGINATES FROM (SHOW COMPUTER RUN AND/OR MAIN FILE FROM WHICH DATA IS DEVELOPED AND SPAN OF TIME COVERED OR AGE OF DATA)
 THE INFORMATION NECESSARY TO PRODUCE THIS REPORT IS EXTRACTED FROM THE MONTHLY ARREST TAPE (CU000T1).

NO. COPIES: _____ FREQUENCY ISSUED: DAILY WEEKLY MONTHLY

DESIGN FORMAT APPROVED BY: _____ DATE: _____ RELEASE PERIOD: _____

DETAILED EXPLANATION OF DATA (WHEN PRINTED CAPTIONS ARE NOT SELF EXPLANATORY)

THE FIRST OF TWO REPORTS (CU018L1) IS A TABULATION OF ARRESTS BY AGE, SEX AND RACE OF PERSONS ARRESTED THAT ARE UNDER 18 YEARS OF AGE. THE VERTICAL BREAKDOWN IS BY CHARGE AND SEX. THE HORIZONTAL BREAKDOWN IS BY AGE GROUPINGS AND INDIVIDUAL RACE. THE AGE GROUPING BREAKDOWN IS AS FOLLOWS:

- A. 10 YEARS OF AGE AND UNDER.
- B. 11 OR 12 YEARS OF AGE.
- C. 13 OR 14 YEARS OF AGE.
- D. 15 YEARS OF AGE.
- E. 16 YEARS OF AGE.
- F. 17 YEARS OF AGE.

AT THE END OF THE AGE GROUPINGS THERE IS A TOTAL COLUMN THAT GIVES THE TOTAL MALE AND FEMALE ARRESTS WITHIN THOSE AGE GROUPINGS. THE RACE BREAKDOWN IS AS FOLLOWS:

- A. WHITE.
- B. NEGRO.
- C. INDIAN.
- D. CHINESE.
- E. JAPANESE.
- F. OTHER.

TO FURTHER ILLUSTRATE, TURN TO THE FOLLOWING PAGE AND USING BURGLARY AS AN EXAMPLE (THE SIXTH CHARGE ENTRY ON THE LEFT-HAND VERTICAL COLUMN) AND READING FROM LEFT TO RIGHT, IT IS SEEN THAT THERE WERE NINE (9) MALES AND ZERO (0) FEMALES 10 YEARS OF AGE OR UNDER THAT WERE ARRESTED FOR BURGLARY. THE NEXT ENTRY ON THAT HORIZONTAL LINE INDICATES THAT IN THE AGE GROUP OF 11 OR 12 YEARS OF AGE THERE WERE TWELVE (12) MALES AND ONE (1)

CONTINUE ON REVERSE SIDE

COPY DISTRIBUTION

SENT TO	RETENTION	DISPOSITION
1 TWO (2) COPIES SENT TO THE DATA CONTROL UNIT. ONE (1) COPY IS FILED AND THE OTHER IS XEROXED AND		
2 DISTRIBUTED TO VARIOUS COMMAND STAFF PERSONNEL.		

COMMENTS

INDEX NUMBER
 CU018-05

System No. _____ System Title: _____ Revision Date: _____ Revised By: _____
 Date Prepared: _____ Prepared By: _____
 Date Approved: _____ Approved By: _____

INDEX NUMBER
 CU018-04

DESCRIPTION OF COMPUTER REPORT OR LISTING

NEW REVISION—SHOW WHY IN 'COMMENTS'

DATE	ID NO.
------	--------

TITLE OF REPORT OR LISTING AGE, SEX AND RACE OF PERSONS ARRESTED (CUØ18L1, CUØ18L2)		
PURPOSE OR FUNCTION IT SERVES		
ORIGINATES FROM (SHOW COMPUTER RUN AND/OR MAIN FILE FROM WHICH DATA IS DEVELOPED AND SPAN OF TIME COVERED OR AGE OF DATA)		
NO. COPIES	FREQUENCY ISSUED <input type="checkbox"/> DAILY <input type="checkbox"/> WEEKLY <input type="checkbox"/> MONTHLY <input type="checkbox"/>	
DESIGN FORMAT APPROVED BY	DATE	RELEASE PERIOD

DETAILED EXPLANATION OF DATA (WHEN PRINTED CAPTIONS ARE NOT SELF EXPLANATORY)

FEMALE ARRESTED FOR BURGLARY. FOLLOWING ACROSS TO THE TOTAL, IT IS SEEN THAT THERE WERE 109 MALE JUVENILES ARRESTED FOR BURGLARY DURING THE MONTH OF JANUARY, AND FIVE (5) FEMALES ARRESTED FOR THE SAME CRIME. FROM THAT POINT READING FROM LEFT TO RIGHT THE RACE DIVISIONS BEGIN. THE FIRST ENTRY INDICATES THAT OF THE TOTAL JUVENILES ARRESTED THERE WERE 53 WHITE MALES AND TWO (2) WHITE FEMALES; 55 NEGRO MALES AND THREE (3) NEGRO FEMALES ARRESTED FOR BURGLARY, AND NO INDIAN, CHINESE, JAPANESE OR OTHER JUVENILES WERE ARRESTED DURING THAT MONTH.

THE SECOND PORTION OF THE LISTING (CUØ18L2) IS THE SAME AS THE FIRST PORTION EXCEPT THE AGE GROUPING IS FROM 18 YEARS OF AGE AND OVER. THE VERTICAL BREAKDOWN IS EXACTLY THE SAME AS ON CUØ18L1. THE HORIZONTAL BREAKDOWN IS BASICALLY THE SAME WITH THE EXCEPTION THAT THERE ARE TWO COMPLETE SETS OF THREE HORIZONTAL LINES PER CHARGE TO ACCOUNT FOR THE DIFFERENT AGE GROUPINGS. TO FURTHER ILLUSTRATE, TURN TO THE FIRST PAGE OF CUØ18L2 AND READING FROM LEFT TO RIGHT IT IS SEEN THAT THE AGE GROUPINGS ARE DIVIDED BY SINGLE YEARS FROM THE AGE OF 18 THROUGH 24, AND FROM THAT POINT FORWARD IN FIVE-YEAR INCREMENTS, i.e., 25 THROUGH 29, 30 THROUGH 34, AND SO ON UP THROUGH 60 THROUGH 64. THE LAST AGE ENTRY IS 65 YEARS OF AGE AND OVER. FROM THAT POINT ON THE TOTAL LINE AND THE RACE DIVISIONS ARE THE SAME AS ON THE PREVIOUS REPORT. ON THE LAST PAGE OF BOTH CUØ18L1, AND L2 THERE IS A TOTAL LINE LISTING THE TOTALS BY AGE AND BY RACE.

CONTINUE ON REVERSE SIDE

COPY DISTRIBUTION

SENT TO	RETENTION	DISPOSITION
1		
2		
3		
4		
5		
6		

COMMENTS

INDEX NUMBER
CUØ18-Ø7

CUØ18 L1 KANS CITY MO PD

AGE, SEX AND RACE OF PERSONS ARRESTED UNDER 18 YEARS OF AGE

JULY 1973

CRIME	SEX	10& UND	11-12	13-14	15	16	17	TOTAL	WHITE	NEGRO	INDIAN	CHINESE	JAPANESE	OTHER
MURDER AND NONNEGLIGENT MANSLAUGHTER	MALE	0	0	1	0	1	0	2	0	2	0	0	0	0
	FEMALE	0	0	0	0	0	0	0	0	0	0	0	0	0
MANSLAUGHTER BY NEGLIGENCE	MALE	0	0	0	0	0	0	0	0	0	0	0	0	0
	FEMALE	0	0	0	0	0	0	0	0	0	0	0	0	0
FORCIBLE RAPE	MALE	0	1	1	0	0	0	2	0	2	0	0	0	0
	FEMALE	0	0	0	0	0	0	0	0	0	0	0	0	0
ROBBERY	MALE	1	7	5	3	4	6	26	6	20	0	0	0	0
	FEMALE	0	0	0	0	0	1	1	0	1	0	0	0	0
AGGRAVATED ASSAULT	MALE	1	0	4	2	5	1	13	2	11	0	0	0	0
	FEMALE	0	0	1	0	0	0	1	0	1	0	0	0	0
BURGLARY -- BREAKING OR ENTERING	MALE	9	12	25	32	17	14	109	53	55	0	0	0	1
	FEMALE	0	1	2	0	1	1	5	2	3	0	0	0	0
LARCENY-THEFT (EXCEPT AUTO THEFT)	MALE	12	15	41	26	24	27	145	38	107	0	0	0	0
	FEMALE	0	4	5	3	5	7	24	2	22	0	0	0	0
AUTO THEFT	MALE	1	1	12	18	13	7	52	22	30	0	0	0	0
	FEMALE	0	0	0	2	1	0	3	0	3	0	0	0	0
OTHER ASSAULT	MALE	0	0	5	5	5	10	25	10	15	0	0	0	0
	FEMALE	1	0	2	0	1	0	4	0	4	0	0	0	0
ARSON	MALE	0	0	0	0	0	0	0	0	0	0	0	0	0
	FEMALE	0	0	0	1	1	0	2	0	2	0	0	0	0
FORGERY AND COUNTERFEITING	MALE	0	0	0	0	0	0	0	0	0	0	0	0	0
	FEMALE	0	0	0	0	0	0	0	0	0	0	0	0	0
FRAUD	MALE	0	0	0	0	2	0	2	0	2	0	0	0	0
	FEMALE	0	0	0	1	0	0	1	0	1	0	0	0	0
EMBEZZLEMENT	MALE	0	1	0	0	2	1	4	2	2	0	0	0	0
	FEMALE	0	0	0	0	0	0	0	0	0	0	0	0	0
STOLEN PROPERTY: BUYING, RECEIVING, POSSESSING	MALE	0	0	1	0	1	0	2	0	2	0	0	0	0
	FEMALE	0	0	0	0	0	0	0	0	0	0	0	0	0

INDEX NUMBER
CUØ18-Ø7

AGE, SEX AND RACE OF PERSONS ARRESTED
18 YEARS OF AGE AND OVER

JULY 1973

	SEX	AGE										TOTAL	WHITE	NEGRO	INDIAN	CHINESE	JAPANESE	OTHER	
		18	19	20	21	22	23	24	25-29	30-34	35-39								40-44
MURDER AND NONNEGLIGENT MANSLAUGHTER	MALE	1	0	0	1	1	2	0	2	1	0	0	0						
	FEMALE	0	0	0	0	0	0	0	2	0	0	0	0						
	SEX	50-54	55-59	60-64	65-UP		WHITE	NEGRO	INDIAN	CHINESE	JAPANESE	OTHER							
	MALE	1	1	0	0	10	1	9	0	0	0	0							
	FEMALE	0	0	0	0	2	0	2	0	0	0	0							
	SEX	18	19	20	21	22	23	24	25-29	30-34	35-39	40-44	45-49						
MANSLAUGHTER BY NEGLIGENCE	MALE	0	0	0	0	0	0	0	1	0	0	0	0						
	FEMALE	0	0	0	0	0	0	0	0	0	0	0	0						
	SEX	50-54	55-59	60-64	65-UP	TOTAL	WHITE	NEGRO	INDIAN	CHINESE	JAPANESE	OTHER							
	MALE	0	0	0	0	1	1	0	0	0	0	0							
	FEMALE	0	0	0	0	0	0	0	0	0	0	0							
	SEX	18	19	20	21	22	23	24	25-29	30-34	35-39	40-44	45-49						
FORCIBLE RAPE	MALE	0	0	1	1	1	0	1	1	0	0	0	0						
	FEMALE	0	0	1	0	0	0	0	0	0	0	0	0						
	SEX	50-54	55-59	60-64	65-UP	TOTAL	WHITE	NEGRO	INDIAN	CHINESE	JAPANESE	OTHER							
	MALE	0	0	0	0	5	3	2	0	0	0	0							
	FEMALE	0	0	0	0	1	1	0	0	0	0	0							
	SEX	18	19	20	21	22	23	24	25-29	30-34	35-39	40-44	45-49						
ROBBERY	MALE	3	6	7	4	3	5	1	6	3	0	0	1						
	FEMALE	1	0	0	0	0	0	0	0	0	1	0	0						
	SEX	50-54	55-59	60-64	65-UP	TOTAL	WHITE	NEGRO	INDIAN	CHINESE	JAPANESE	OTHER							
	MALE	1	0	0	0	40	4	35	1	0	0	0							
	FEMALE	0	0	0	0	2	0	2	0	0	0	0							
	SEX	18	19	20	21	22	23	24	25-29	30-34	35-39	40-44	45-49						
AGGRAVATED ASSAULT	MALE	1	0	3	1	1	3	2	5	1	5	2	3						
	FEMALE	0	1	0	0	0	0	0	2	0	1	2	0						
	SEX	50-54	55-59	60-64	65-UP	TOTAL	WHITE	NEGRO	INDIAN	CHINESE	JAPANESE	OTHER							
	MALE	2	1	1	1	32	14	17	1	0	0	0							
	FEMALE	0	0	0	0	6	5	1	0	0	0	0							
	SEX	18	19	20	21	22	23	24	25-29	30-34	35-39	40-44	45-49						
BURGLARY -- BREAKING OR ENTERING	MALE	12	23	9	10	6	4	2	9	7	2	7	1						
	FEMALE	0	1	1	0	0	0	0	0	0	0	0	0						
	SEX	50-54	55-59	60-64	65-UP	TOTAL	WHITE	NEGRO	INDIAN	CHINESE	JAPANESE	OTHER							
	MALE	1	0	0	0	93	38	54	1	0	0	0							
	FEMALE	0	0	0	0	2	1	1	0	0	0	0							
	SEX	18	19	20	21	22	23	24	25-29	30-34	35-39	40-44	45-49						
LARCENY-THEFT (EXCEPT AUTO THEFT)	MALE	9	14	12	5	3	8	7	10	12	3	8	3						
	FEMALE	7	4	8	2	6	6	1	10	2	7	3	6						
	SEX	50-54	55-59	60-64	65-UP	TOTAL	WHITE	NEGRO	INDIAN	CHINESE	JAPANESE	OTHER							
	MALE	4	5	1	0	104	45	58	1	0	0	0							
	FEMALE	3	2	2	1	70	29	37	2	0	0	2							

INDEX NUMBER
CU018-08



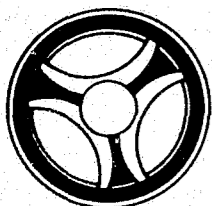
PROGRAMMING DOCUMENTATION



TITLE: ARRESTS BY BUREAUS, DIVISIONS AND UNITS
 DATE OPERATIONAL: January 16, 1973
 PURPOSE: To create a monthly listing of all arrests occurring within the Kansas City, Missouri city limits broken down by Police Department Bureaus, Divisions and Units.

SECTION	ARREST PROGRAMS
DATE ISSUED	DATE REVISED
January 16, 1973	

INDEX NUMBER
CU019-01



PROGRAMMING DOCUMENTATION

SECTION

ARREST PROGRAMS

DATE ISSUED

January 16, 1973

DATE REVISED



PROGRAMMING DOCUMENTATION

SECTION

ARREST PROGRAMS

DATE ISSUED

January 16, 1973

DATE REVISED

I. PROGRAM NARRATIVE

Input to this program is the monthly arrest tape (CU000T1) and the output is a one-page listing. The input tape is read and counts of all arrests made for a one-month period are loaded into subscripted tables by charge code and the unit, division or bureau responsible for making the arrest. These counts are then formatted and printed on a one-page listing using charge code as the vertical header and unit, division or bureau codes as the horizontal header. The charge codes are broken out into arrests for Part I offenses and then arrests for all other offenses. There is a total of Part I, total of Part II and grand total listed also.

II. DETAILED DESCRIPTION

001-HEADER-FILL opens the input and output files, accepts a date card containing the month and the year of the report, and formats and prints the header at the top of the page of the report.

002-CLEAR-COUNTERS moves zeros to a double subscripted table.

003-CHECK-CHARGE-CODE is the read paragraph in this program. The arrest tape is read and only arrest statistical records with the Kansas City Police Department originating agency code are accepted. Control is returned to the beginning of this paragraph when any other type of record is encountered. This paragraph also causes the appropriate subscriptor to be incremented based upon the arrest charge code.

004-CHECK-UNIT-CODE moves the appropriate value to a subscriptor based upon the unit, division or bureau which was responsible for the arrest.

005-CHECK-FOUR-ERRORS-UNIT, 008-ERRORS-UNIT, 007-ERRORS-OFFENSE combine to determine if there are errors in either the charge code or the unit code and if so move 1 to a unit error counter and 1 to an offense error counter and return control to the read paragraph (003-CHECK-CHARGE-CODE).

006-ACCUMULATE uses the previously set subscriptors and adds to the appropriate counters for each input record read. Control returns to the read paragraph.

The above paragraphs are executed repeatedly until the entire input tape is read and then control is transferred to the following paragraph.

009-PREPARE-PRINT performs a group of paragraphs (012-CNSTAT-MOVE THROUGH 014-TOTAL-MOVE-END) that will be explained in sequence a few paragraphs below this one.

010-PRINTING-LINES is the paragraph that actually prints each line of count data on the listing. It also keeps track of various counters to determine the correct spacing as well as when to print the total lines.

011-BUMP-ONE-LINE increments the offense code by one after each line is printed and tests the code to see if the last line has been printed, and if so transfers control to the final paragraph.

012-CNSTAT-MOVE is the first of the group of paragraphs performed by the paragraph entitled 009-PREPARE-PRINT. This paragraph checks the offense code and moves the appropriate literal to the line about to be printed.

013-TOTAL-MOVE causes the correct unit literal to be extracted from a table and moved to the print area.

013-SKIP-A-PARAGRAPH is included in this program simply to transfer control around the following paragraph to the one entitled 014-TOTAL-MOVE-END.

014-SPACING-FOUR-PARTII-HDR is a paragraph that is only branched to one time in the program and its function is to skip spaces between the Part I arrests and the other arrests on the one-page listing.

014-TOTAL-MOVE-END is the exit paragraph from the perform and transfers control back to the paragraph entitled 010-PRINTING-LINES.

015-FINAL is the ending paragraph in the program. Before this paragraph is branched to, all of the information has been moved to the print line and printed. This paragraph simply closes the input and output files.

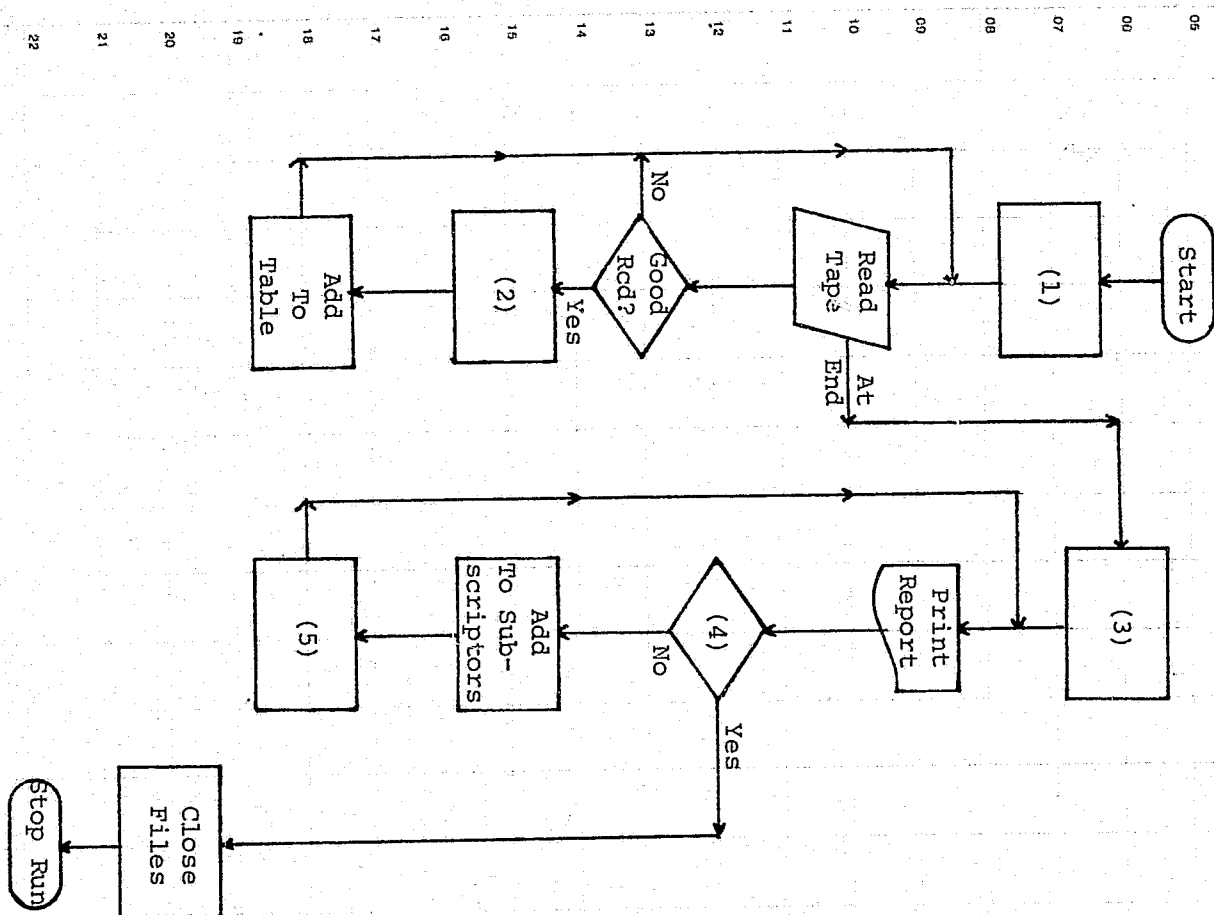
INDEX NUMBER
CU019-02

INDEX NUMBER
CU019-03

FLOWCHART

DESCRIPTION

- (1) Open Files, Accept Control Date Card, Move Zeros to Table, Print Headers on Report.
- (2) Set Table Subscribers Based on Charge Code and Bureau/Division/Unit Code.
- (3) Set Subscribers to Beginning of Table.
- (4) Report Finished?
- (5) Move Necessary Literal For Next Line of Print.



System No. _____ System Title: _____
 Date Prepared: _____ Prepared By: _____ Revision Date: _____ Revised By: _____
 Date Approved: _____ Approved By: _____

NEW REVISION—SHOW WHY IN COMMENTS

TITLE OF REPORT OR LISTING ARRESTS BY BUREAUS, DIVISIONS, AND UNITS CU019L1	
PURPOSE OR FUNCTION IT SERVES TO PROVIDE MONTHLY ARREST STATISTICS BY VARIOUS PATROL DIVISIONS AND UNITS, AND DETECTIVE DIVISIONS AND UNITS	
ORIGINATES FROM (SHOW COMPUTER RUN AND/OR MAIN FILE FROM WHICH DATA IS DEVELOPED AND SPAN OF TIME COVERED OR AGE OF DATA) THE INFORMATION NECESSARY TO PRODUCE THIS REPORT IS EXTRACTED FROM THE MONTHLY ARREST TAPE (CU000T1).	
NO. COPIES	FREQUENCY ISSUED <input type="checkbox"/> DAILY <input type="checkbox"/> WEEKLY <input checked="" type="checkbox"/> MONTHLY <input type="checkbox"/>
DESIGN FORMAT APPROVED BY	DATE
RELEASE PERIOD	

DETAILED EXPLANATION OF DATA (WHEN PRINTED CAPTIONS ARE NOT SELF EXPLANATORY)

CU019L1 IS A SINGLE PAGE LISTING BROKEN DOWN VERTICALLY BY CHARGE CODE AND HORIZONTALLY BY THE DIVISION OR UNIT EFFECTING THE ARREST. FOR FURTHER EXPLANATION TURN TO THE FOLLOWING PAGE. THE FIRST THREE HORIZONTAL ENTRIES UNDER THE DATE ARE WATCH I, WATCH II, AND WATCH III. DIRECTLY BELOW EACH OF THESE THREE WATCHES ARE ZONE 1, ZONE 2, AND ZONE 3. THE COLUMNS UNDERNEATH ALL OF THE ZONES WITHIN THE WATCHES COMPRISE THE NUMBER OF ARRESTS MADE BY THE THREE MAJOR PATROL DIVISIONS DIVIDED INTO THREE EIGHT-HOUR WORK SHIFTS (WATCHES). TO THE RIGHT OF THE LAST COLUMN UNDER WATCH III, ZONE 3, IS THE FIRST OF SIX (6) DETECTIVE UNITS AND THE COLUMNS UNDER THEM COMPRISE THE NUMBER OF ARRESTS MADE BY THE ENTIRE INVESTIGATION DIVISION. IN OTHER WORDS THIS REPORT IS BASICALLY BROKEN DOWN INTO PATROL DIVISION ARRESTS AND INVESTIGATION DIVISION ARRESTS. THE FAR LEFT HEADER GIVES A TOTAL NUMBER OF ARRESTS FOR THE MONTH REGARDLESS OF DIVISION, AND THE FAR RIGHT HEADER INDICATES ARRESTS MADE BY ANY OTHER DIVISION OR UNIT WITHIN THE KANSAS CITY, MISSOURI POLICE DEPARTMENT. VERTICALLY THE CHARGES ARE BROKEN DOWN INTO ARRESTS FOR PART I OFFENSES AND A TOTAL LINE, AND ARRESTS FOR PART II OFFENSES AND A TOTAL LINE. A GRAND TOTAL OF ALL ARRESTS BY EACH INDIVIDUAL COLUMN HEADER IS PRINTED AT THE BOTTOM OF THE PAGE. TO SUMMARIZE, USING BURGLARY AS AN EXAMPLE AND READING FROM LEFT TO RIGHT IT IS SEEN THAT THERE WERE A TOTAL OF 138 BURGLARY ARRESTS MADE IN MAY OF 1973. THE NEXT COLUMN INDICATES THAT OF THOSE ARRESTS, THREE (3) WERE EFFECTED BY ZONE 1 (CENTRAL PATROL DIVISION)

CONTINUE ON REVERSE SIDE

SENT TO	RETENTION	DISPOSITION
1 ONE (1) COPY TO THE DATA CONTROL		
2 UNIT FOR FILE, AND XEROXED COPIES		
3 TO VARIOUS BUREAU DIVISION AND UNIT		
4 COMMANDERS		
5		
6		

COMMENTS

INDEX NUMBER
CU019-05

DESCRIPTION OF COMPUTER REPORT OR LISTING

NEW REVISION—SHOW WHY IN 'COMMENTS'

DATE	ID#
------	-----

TITLE OF REPORT OR LISTING ARRESTS BY BUREAUS, DIVISIONS, AND UNITS CU019L1		
PURPOSE OR FUNCTION IT SERVES		
ORIGINATES FROM (SHOW COMPUTER RUN AND/OR MAIN FILE FROM WHICH DATA IS DEVELOPED AND SPAN OF TIME COVERED OR AGE OF DATA)		
NO. COPIES	FREQUENCY ISSUED <input type="checkbox"/> DAILY <input type="checkbox"/> WEEKLY <input type="checkbox"/> MONTHLY <input type="checkbox"/>	
DESIGN FORMAT APPROVED BY	DATE	RELEASE PERIOD

DETAILED EXPLANATION OF DATA (WHEN PRINTED CAPTIONS ARE NOT SELF EXPLANATORY)

DURING THE TIME FROM MIDNIGHT UNTIL 8:00 A.M. (WATCH I). CONTINUING TO READ ACROSS THE LINE, ZONE 2 MADE FIVE (5) BURGLARY ARRESTS AND ZONE 3 MADE FIVE (5) BURGLARY ARRESTS WITHIN THE FIRST EIGHT-HOUR SHIFT. FOLLOWING THE SAME LINE ACROSS TO THE SPECIAL OPERATIONS DIVISION IT IS SEEN THAT THE OFFICERS WITHIN THIS DIVISION EFFECTED TEN (10) BURGLARY ARRESTS DURING THE MONTH. IT MUST BE NOTED THAT FROM THIS COLUMN TO THE FAR RIGHT-HAND SIDE OF THE PAGE THE TIME ELEMENT (WATCHES) ARE NOT ACCOUNTED FOR.

CONTINUE ON REVERSE SIDE

COPY DISTRIBUTION

SENT TO	RETENTION	DISPOSITION
1		
2		
3		
4		
5		
6		

COMMENTS

INDEX NUMBER
CU019-06

KANSAS CITY POLICE DEPARTMENT
RESTRICTED INFORMATION - FOR KCPD USE ONLY
ARRESTS BY BUREAUS, DIVISIONS, AND UNITS
MAY 1972

	TOTAL	WATCH I			WATCH II			WATCH III			SPECIAL OPERATIONS DIV.	YOUTH WOMENS UNIT	CRIMES AGAINST VICE PERSONS	CRIMES AGAINST PROPERTY	GENERAL ASSIGNMENT UNIT	OTHER	
		ZONE 1	ZONE 2	ZONE 3	ZONE 1	ZONE 2	ZONE 3	ZONE 1	ZONE 2	ZONE 3							
MURDER	1	0	0	0	0	1	0	0	0	0	0	0	0	0	0	0	
MANSLAUGHTER	1	0	1	0	0	0	0	0	0	0	0	0	0	0	0	0	
RAPE	13	1	1	0	2	0	1	2	1	1	0	3	0	0	0	0	
ROBBERY	31	0	0	1	1	1	1	11	4	3	3	1	0	0	0	0	
ASSAULT-AGGRAVATED	66	6	2	4	8	2	5	12	10	3	1	12	0	1	0	0	
ASSAULT-NOT AGG.	296	21	11	19	26	13	19	84	27	49	3	14	1	6	2	0	
BURGLARY	138	3	5	5	12	10	11	18	10	30	10	9	0	0	15	0	
LARCENY	323	2	1	8	58	45	55	47	39	44	11	9	0	0	3	0	
AUTO THEFT	64	1	7	4	16	6	2	5	7	2	1	9	1	0	3	0	
TOTAL PART I	933	34	28	41	123	78	94	179	98	132	29	55	2	15	23	0	2
PART II																	
ARSON	4	2	0	2	0	0	0	0	0	0	0	0	0	0	0	0	0
FORG. & COUNTRFTNG	15	0	0	0	5	1	4	0	1	2	2	0	0	0	0	0	0
FRAUD	48	2	3	1	7	3	1	13	4	5	4	0	0	0	1	4	0
EMBEZZLEMENT	1	1	0	0	0	0	0	0	0	0	0	0	0	0	0	0	0
STOLEN PROPERTY	18	0	1	2	5	0	1	2	0	2	2	0	0	0	0	0	0
VANDALISM	60	5	5	4	7	5	5	9	6	7	0	5	0	0	2	1	0
WEAPONS	61	5	6	5	11	0	3	18	5	4	3	0	0	0	1	0	0
PROSTITUTION	84	9	0	0	7	0	1	8	1	2	0	0	56	0	0	0	0
SEX OFFENSES	24	0	1	3	3	1	1	2	1	3	0	0	8	1	0	0	0
NARCOTICS	124	3	13	6	8	6	8	23	11	6	23	2	15	0	0	0	0
GAMBLING	183	8	0	8	2	0	4	13	9	10	0	0	129	0	0	0	0
OFF.VS FAM.& CHILD	32	2	0	2	8	4	1	6	5	0	2	0	0	0	0	0	0
LIQUOR LAWS	49	3	3	2	4	2	3	13	1	17	0	1	0	0	0	0	2
DRUNKENNESS	356	74	7	11	49	9	7	153	7	32	6	0	1	0	0	0	0
DISORDERLY CONDUCT	385	35	16	24	59	14	42	100	23	64	2	1	4	0	0	0	0
VAGRANCY	7	0	0	0	3	0	0	2	2	0	0	0	0	0	0	0	1
ALL OTHER EXC.TRF.	949	41	32	34	182	111	112	187	73	66	88	10	1	1	5	2	4
TOTAL PART II	2400	190	87	104	360	156	193	549	149	220	132	19	214	2	9	8	8
GRAND TOTAL	3333	224	115	145	483	234	287	728	247	352	161	74	216	17	32	8	10

INDEX NUMBER
CU019-07



PROGRAMMING DOCUMENTATION

SECTION

ARREST PROGRAMS

DATE ISSUED

January 16, 1973

DATE REVISED

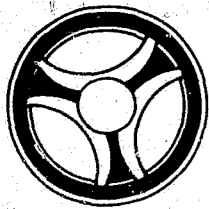
TITLE: ARRESTS BY DISPOSITION

DATE OPERATIONAL: January 16, 1973

PURPOSE: To provide a monthly report of all arrests that were disposed of during the month broken down by arrest code and disposition code.

INDEX NUMBER

CU020-01



PROGRAMMING DOCUMENTATION

SECTION
ARREST PROGRAMS

DATE ISSUED
January 16, 1973

DATE REVISED



PROGRAMMING DOCUMENTATION

SECTION
ARREST PROGRAMS

DATE ISSUED
January 16, 1973

DATE REVISED

I. PROGRAM NARRATIVE

Input to this program is the monthly arrest tape (CU000T1) and output is a two-page listing. The arrest tape is read and counts are loaded into subscripted tables. After the entire tape has been read and the tables loaded a two-page report is printed. The first page is a listing of all of the monthly arrests broken down by Part I offense arrests and other arrests, and the code which indicates how the arrest was disposed of such as guilty as charged, released to juvenile court, etc. The second page of the listing is simply the number of juveniles arrested and released to the County Juvenile Courts broken down by Jackson County, Clay County, and Platte County.

II. DETAILED DESCRIPTION

HSKPG opens the input tape and the output printer, accepts a control card containing the month of the report and moves that information to a save area and moves zeros to various subscripted counters.

START-PROCESSING reads the arrest tape and bypasses all records not containing the Kansas City, Missouri originating agency code. It also edits each complement of input records so that only arrest statistical records that have an arrest disposition record directly following it within the same ALERT number are accepted. If these conditions are not met control returns to the beginning of the paragraph. Otherwise the charge, court code, and disposition are moved to save areas. Also information is collected in this paragraph concerning previous year disposition information and if any of that information is present it is moved to the save area.

NEXT-START causes the appropriate subscriptor to be set based upon the arrest code.

CHK-JUV moves the appropriate value to a subscriptor if the arrestee is a juvenile. Control is then branched around the following paragraph to ADD-DISP.

CHK-ADLT is the paragraph that sets the appropriate subscriptor based upon the disposition code. If a disposition code is not found control returns to the read paragraph.

ADD-DISP adds to the accumulation table based upon the previously set subscriptors. Control is then returned to the READ paragraph.

The above paragraphs are repeated until the entire input tape has been read and the tables completely built. At that point control is transferred to the following paragraph.

FINAL-RT. This paragraph prints the heading for the first page of the report.

OUTPUT-RT, TOTL-1, TOTL-2. These three paragraphs combine to subscript through the created table and completely print the first page of the report. A counter is checked and the first of these three paragraphs is checked to determine when the last line of the first page has been printed and when this happens control is transferred to the following paragraph.

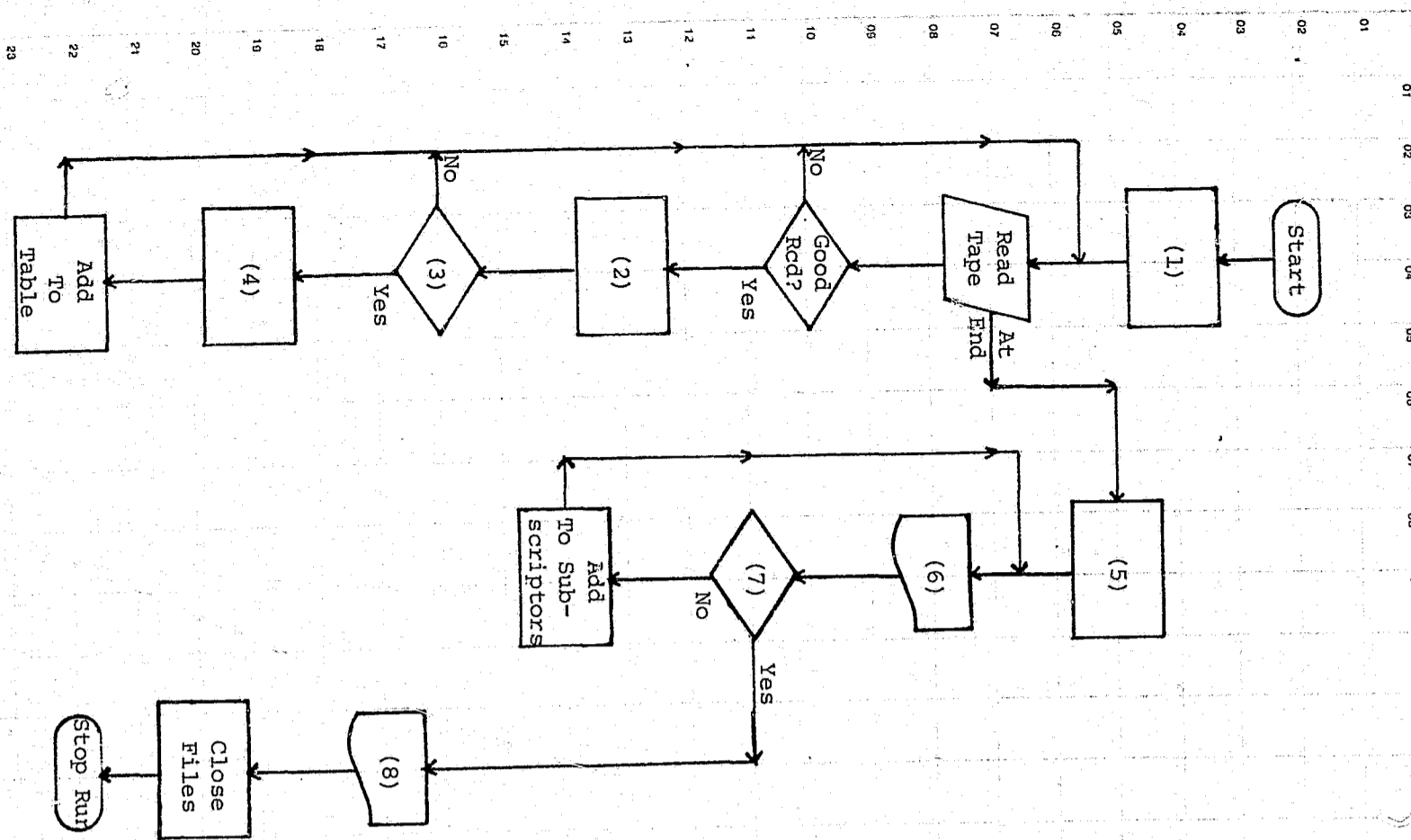
END-JOB is the final paragraph in the program and moves the header information and the count information to the print line and causes the entire second page of the report to be printed. The input and output files are closed.

INDEX NUMBER
CU020-02

INDEX NUMBER
CU020-03

FLOWCHART

DESCRIPTION



- (1) Open Files, Accept Control Card, Zero Out Counter Tables.
- (2) Save Any Previous Year Disposition Information Found.
- (3) Found Disposition Code?
- (4) Set Subscribers Based On Charge, Age, and Current Year Disposition Code.
- (5) Set Subscribers to Beginning of Table.
- (6) Print First Page.
- (7) First Page Done?
- (8) Move Literals and Counts From Save Area (not Table) And Print Second Page.

System No. _____ System Title: _____ Revision Date: _____ Revised By: _____

Date Prepared: _____ Prepared By: _____

Date Approved: _____ Approved By: _____

NEW REVISION—SHOW WHY IN 'COMMENTS'

TITLE OF REPORT OR LISTING
ARRESTS BY DISPOSITION CU020L1

PURPOSE OR FUNCTION IT SERVES
TO PROVIDE A LISTING OF COUNTS OF THE ARRESTS THAT WERE DISPOSED OF AND HOW THEY WERE DISPOSED OF.

ORIGINATES FROM (SHOW COMPUTER RUN AND/OR MAIN FILE FROM WHICH DATA IS DEVELOPED AND SPAN OF TIME COVERED OR AGE OF DATA)
INFORMATION NECESSARY TO PRODUCE THIS REPORT IS EXTRACTED FROM THE MONTHLY ARREST TAPE (CU000T1).

NO. COPIES _____ FREQUENCY ISSUED DAILY WEEKLY MONTHLY

DESIGN FORMAT APPROVED BY _____ DATE _____ RELEASE PERIOD _____

COPY DISTRIBUTION

SENT TO	RETENTION	DISPOSITION
1 ONE (1) COPY TO DATA CONTROL FOR FILE, AND XEROX COPIES TO VARIOUS POLICE DEPARTMENT COMMAND PERSONNEL.		
2		
3		
4		
5		
6		

COMMENTS

INDEX NUMBER
CU020-05

DETAILED EXPLANATION OF DATA (WHEN PRINTED CAPTIONS ARE NOT SELF EXPLANATORY)

CU020L1 IS A TWO-PAGE REPORT. THE FIRST PAGE IS BROKEN DOWN VERTICALLY BY CHARGE AND HORIZONTALLY BY DISPOSITION CODE. THE DISPOSITION CODES HAVE THE FOLLOWING MEANINGS:

- 10 = RELEASED BY POLICE
- 11 = RELEASED BY POLICE TO WELFARE
- 12 = RELEASED BY POLICE TO HOSPITAL
- 19 = RELEASED TO OTHER AUTHORITIES WITHIN JURISDICTION
- 20 = TRANSFERRED TO OTHER AUTHORITIES
- 30 = DISMISSED OR DISCHARGED BY COURT
- 31 = DISMISSED BY COURT FOR WANT OF PROSECUTION
- 32 = BOND FORFEITURE
- 33 = DISMISSED BY COURT ON REQUEST OF COMPLAINANT
- 34 = DISMISSED BY COURT, SENTENCED ON ANOTHER CASE
- 40 = RELEASED BY PROSECUTOR
- 41 = RELEASED BY PROSECUTOR, COMPLAINANT REFUSED TO PROSECUTE
- 42 = RELEASED BY PROSECUTOR, INSUFFICIENT EVIDENCE
- 50 = GUILTY AS CHARGED
- 51 = GUILTY OF LESSER OFFENSE
- 60 = ACQUITTED BY JURY
- 61 = JURY DISAGREEMENT
- 70 = ESCAPED JAIL
- 80 = DIED
- 90 = LEFT JURISDICTION
- JC = JUVENILE COURT
- PREV-YEAR = DISPOSITION FROM PREVIOUS YEAR ARREST

CONTINUE ON REVERSE SIDE

DESCRIPTION OF COMPUTER REPORT OR LISTING

NEW REVISION—SHOW WHY IN 'COMMENTS'

DATE	IDN
------	-----

TITLE OF REPORT OR LISTING ARRESTS BY DISPOSITION CU020L1	
PURPOSE OR FUNCTION IT SERVES	
ORIGINATES FROM (SHOW COMPUTER RUN AND/OR MAIN FILE FROM WHICH DATA IS DEVELOPED AND SPAN OF TIME COVERED OR AGE OF DATA)	
NO. COPIES	FREQUENCY ISSUED <input type="checkbox"/> DAILY <input type="checkbox"/> WEEKLY <input type="checkbox"/> MONTHLY <input type="checkbox"/>
DESIGN FORMAT APPROVED BY	DATE RELEASE PERIOD

DETAILED EXPLANATION OF DATA (WHEN PRINTED CAPTIONS ARE NOT SELF EXPLANATORY)

THE REPORT IS BROKEN DOWN VERTICALLY BY ARRESTS FOR PART I OFFENSES AND A TOTAL, ARRESTS FOR PART II OFFENSES AND A TOTAL, AND A GRAND TOTAL FOR ALL ARRESTS. THE VERY FIRST COLUMN TO THE RIGHT OF THE CHARGE IS A TOTAL OF ARRESTS THAT WERE DISPOSED OF REGARDLESS OF DISPOSITION CODE. THE SECOND PAGE OF THE REPORT IS SIMPLY THE NUMBER OF JUVENILES ARRESTED AND RELEASED TO ONE OF THREE COUNTY JUVENILE COURTS; JACKSON COUNTY, CLAY COUNTY, PLATTE COUNTY.

CONTINUE ON REVERSE SIDE

COPY DISTRIBUTION

SENT TO	RETENTION	DISPOSITION
1		
2		
3		
4		
5		
6		

COMMENTS

INDEX NUMBER
CU020-06

CU020L1

KANSAS CITY POLICE DEPARTMENT
RESTRICTED INFORMATION - FOR INTERNAL USE ONLY
ARRESTS BY DISPOSITION
MAY 1972

DISPOSITION CODE	TOTAL	10	11	12	19	20	30	31	32	33	34	40	41	42	50	51	60	61	70	80	90	J C	PREV YEAR
MUR & NON-NEG MN	9	0	0	0	0	1	5	0	0	0	0	0	0	0	2	0	0	0	0	0	0	1	5
MANS BY NEG	1	0	0	0	1	0	0	0	0	0	0	0	0	0	0	0	0	0	0	0	0	0	0
RAPE	18	4	0	0	0	2	8	0	0	0	0	1	0	0	1	0	0	0	0	0	0	1	3
ROBBERY	36	10	0	0	8	1	7	0	0	0	0	2	0	1	6	0	0	0	0	0	0	1	11
ASSLT-AGGRVTD	50	31	0	0	11	1	3	0	0	1	0	2	0	0	0	0	0	0	0	0	0	1	2
ASSLT-NOT AGGRV	281	33	0	0	16	0	50	48	0	22	1	4	0	0	95	0	0	0	0	0	0	12	3
BURGLARY	145	60	0	0	40	10	3	0	0	1	0	8	0	3	8	8	0	0	0	0	0	4	8
LARCENY	293	76	0	0	67	4	26	9	0	5	2	8	0	1	84	3	0	0	0	0	0	8	12
AUTO THEFT	57	17	0	0	23	1	2	0	0	0	0	6	0	1	5	1	0	0	0	0	0	1	3
TOTL PART 1 OFF	890	231	0	0	166	20	104	57	0	29	3	31	0	6	201	13	0	0	0	0	0	29	47
ARSON	6	1	0	0	4	0	0	0	0	0	0	1	0	0	0	0	0	0	0	0	0	0	0
FORG & COUNTERFTNG	10	2	0	0	0	2	0	0	0	0	0	0	0	0	5	0	0	0	0	0	0	0	0
FRAUD	40	3	0	0	0	11	9	1	0	3	0	3	0	0	8	1	0	0	0	0	0	1	3
EMBEZZLEMENT	3	1	0	0	0	0	0	0	0	0	0	0	0	0	0	0	0	0	0	0	0	0	0
STOLEN PROPERTY	16	11	0	0	2	2	0	0	0	0	0	0	0	0	0	1	0	0	0	0	0	0	1
VANDALISM	69	19	0	0	13	0	12	8	0	0	0	1	0	0	0	0	0	0	0	0	0	0	0
WEAPONS	54	4	0	0	2	0	12	1	1	0	0	2	0	0	11	0	0	0	0	0	0	3	1
PROS & COMM VICE	60	5	0	0	2	0	12	4	0	0	0	2	0	0	30	0	0	0	0	0	0	2	1
SEX OFFENSES	32	5	0	0	1	0	11	1	1	0	0	5	0	0	26	0	0	0	0	0	0	5	2
NARCOTICS	108	25	0	0	6	9	10	1	0	0	0	0	0	0	10	0	0	0	0	0	0	3	4
GAMBLING	86	0	0	0	3	0	4	0	0	0	3	0	0	13	6	0	0	0	0	0	0	3	1
OFFEN AGST FAMLY	19	0	0	0	0	3	9	0	0	0	0	0	0	0	69	0	0	0	0	0	0	7	1
LIQUOR LAWS	79	0	0	0	1	0	23	1	1	0	0	0	0	0	6	0	0	0	0	0	0	1	1
DRUNKENNESS	372	3	0	0	2	1	27	13	13	0	4	6	0	0	41	0	0	0	0	0	0	5	1
DISORDER CONDUCT	389	26	0	0	12	0	68	76	12	43	4	17	0	0	275	0	0	0	0	0	0	28	4
VAGRANCY	10	2	0	0	0	0	4	0	0	0	0	0	0	0	116	0	0	0	0	0	0	15	13
OTHER EXCPT TRAF	970	45	0	0	100	21	45	10	2	8	593	8	0	0	4	0	0	0	0	0	0	0	0
TOTL PART 2 OFF	2323	152	0	0	148	49	247	116	30	54	605	88	0	13	727	2	0	0	0	0	0	18	34
GRAND TOTAL	3215	383	0	0	314	69	351	173	30	83	608	119	0	19	928	15	0	0	0	0	0	92	68

INDEX NUMBER
CU020-07

JUVENILES ARRESTED AND RELEASED TO THE COUNTY JUVENILE COURTS

JACKSON COUNTY JUVENILE COURT	136
CLAY COUNTY JUVENILE COURT	8
PLATTE COUNTY JUVENILE COURT	0

TOTAL CASES 144



PROGRAMMING DOCUMENTATION

SECTION
ARREST PROGRAMS

DATE ISSUED
January 16, 1973

DATE REVISED

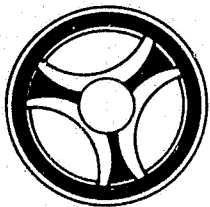
TITLE: ANNUAL RETURN OF PERSONS CHARGED

DATE OPERATIONAL: January 16, 1973

PURPOSE: To prepare the annual FBI Report Return-C which is a listing of counts of persons charged and all available dispositions.

INDEX NUMBER
CU020-08

INDEX NUMBER
CU022-01



PROGRAMMING DOCUMENTATION

SECTION

ARREST PROGRAMS

DATE ISSUED

January 16, 1973

DATE REVISED



PROGRAMMING DOCUMENTATION

SECTION

ARREST PROGRAMS

DATE ISSUED

January 16, 1973

DATE REVISED

I. PROGRAM NARRATIVE

Input to this program is the year-to-date arrest tape (CU001T1) and the year-to-date traffic ticket tape (CD012T1). Output is a one-page listing of arrests and dispositions broken down by classification of arrest. The only information taken from the traffic ticket tape is the number of arrests for driving under the influence of intoxicants. The arrest tape is read first and various necessary counts accumulated in subscripted tables. The traffic tape is then read and the drunk driving counts are accumulated in a single subscript table. The subscriptors are then set to point to the beginning of the tables and the listing is printed.

II. DETAILED DESCRIPTION

The input arrest tape and traffic tape and the output printer are opened, and zeros are moved to the accumulation tables.

READ-ARREST reads the arrest tape and at the end transfers control to the paragraph entitled EOJA. The record type is checked and if other than an arrest statistical record with a Kansas City, Missouri Police Department originating agency code is found control is transferred to the paragraph entitled NEXT-CHK. If the correct record is found the necessary fields are moved to the save areas and control is transferred to the paragraph entitled NEXTX.

NEXT-CHK checks the record type and if other than an arrest disposition record with a Kansas City, Missouri Police Department originating agency code control is transferred back to the paragraph entitled READ-ARREST. If the correct record is found the disposition code contained therein is checked to ascertain if it contains a valid code and if not control is transferred back to READ-ARREST.

NEXTX checks the charge code and if the value contained therein indicates an arrest was made as a result of a Part I offense, control is transferred to the paragraph entitled ADD-ROUT1. If other than a Part I charge code is found, control is transferred to the paragraph entitled ADD-ROUT2. This paragraph also sets a subscriptor based upon the charge code.

ADD-ROUT1 adds to the Part I table based upon the previously set subscriptor. This paragraph also checks to see what type of record has just been read and if it is an arrest statistical record control goes back to the read paragraph. Otherwise control is passed to the paragraph entitled BY-PASS.

ADD-ROUT2 is the paragraph that adds to the table based upon the subscriptors set by the Part II crimes. This paragraph also checks the record type and if an arrest statistical type record has just been read control is transferred back to the read paragraph. Otherwise it falls through to the following paragraph.

BY-PASS. This paragraph is used to subtract from either the Part I or Part II arrest table if the disposition code is a 10 or a 20. That means that the person arrested was released by police and the arrest is not to be counted. The paragraph also checks the disposition code for valid codes other than 10 or 20 and if found to be valid control falls through to the following paragraph. Otherwise control is transferred back to the read paragraph.

CHK-CARGE sets a subscriptor according to the disposition code.

ADD-ROUT3, NEXT-STEP, LAST-STEP combine to add to all of the necessary tables based upon the previously set subscriptors.

GO-BACK simply transfers control back to the read paragraph after all the additions to the tables have been made.

The previously described paragraphs are repeated until all the necessary counts have been loaded into the tables and then control falls through to the following paragraph.

EOJA reads the input traffic tape and at the end transfers control to the paragraph entitled EOJB. This paragraph checks the field that indicates the ticket type and if other than "driving under the influence of alcohol" control is transferred back to the beginning of the paragraph. This paragraph also checks various codes in the traffic ticket record to indicate whether or not the person was guilty, acquitted, referred to juvenile court, etc. and transfers control to one of the following paragraphs.

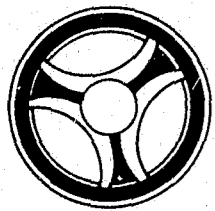
BY-PASS2, BY-PASS3, ADD-ROUT4, ADD-ROUT4X. These four paragraphs combine to add to the single subscripted table based upon the age of the person arrested and the disposition code. After the appropriate adds have been made control is returned to the paragraph entitled EOJA.

After the entire traffic tape has been read and the table incremented control falls through to the following paragraph.

EOJB causes some of the header lines to be printed on the listing.

INDEX NUMBER
CU022-02

INDEX NUMBER
CU022-03



PROGRAMMING DOCUMENTATION

SECTION
ARREST PROGRAMS

DATE ISSUED
January 16, 1973

DATE REVISED

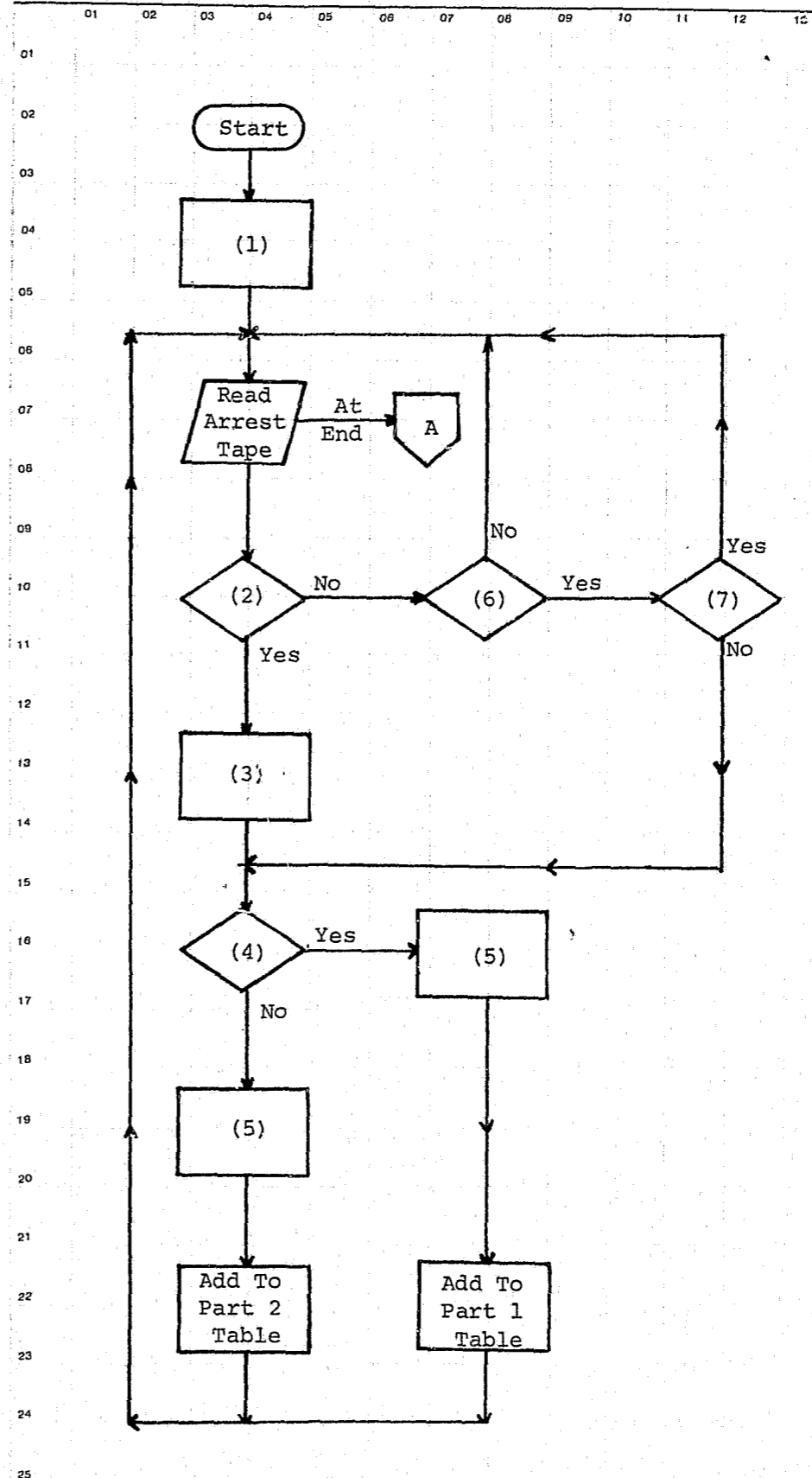
WRITE-TABLE moves the accumulated counts from the subscripted tables and prints them a line at a time. A counter is checked and when the last line of the table counts have been printed control is transferred to the following paragraph.

EOJC causes a few lines of trailer information to be printed at the bottom of the page, closes the input tapes and the printer, and displays a normal end-of-job message upon the console.

SYSTEM FLOW CHART

FLOWCHART

DESCRIPTION



- (1) Open Files, Zero Out Tables.
- (2) Good Statistical Record With K.C.MO.P.D. Agency Code?
- (3) Move All Necessary Fields To Save Area.
- (4) Part 1 Arrest?
- (5) Set Subscriptors Based On Charge and Disposition.
- (6) Good Disposition Record With K.C.MO.P.D. Agency Code and Valid Disposition Code?
- (7) Does Disposition Code Indicate Arrest Should Not Be Counted?

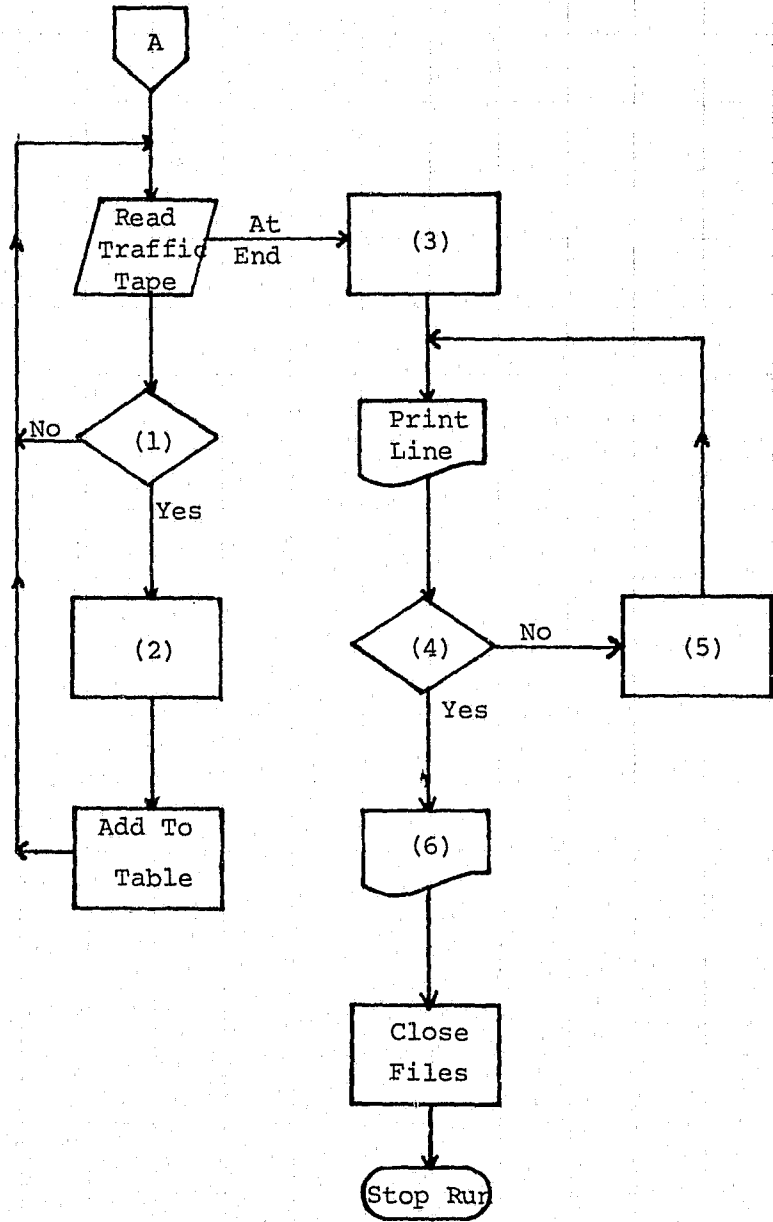
System No.	System Title:		
Date Prepared:	Prepared By:	Revision Date:	Revised By:
Date Approved:	Approved By:		

INDEX NUMBER
CU022-04

INDEX NUMBER
CU022-05

FLOWCHART													DESCRIPTION
-----------	--	--	--	--	--	--	--	--	--	--	--	--	-------------

01													(1) Does Charge Code Indicate Drunk Driving Arrest?
02													(2) Set Subscriptors Based On Age and Disposition Code.
03													(3) Format Headers, Set Subscriptors to Beginning of Table.
04													(4) Last Line of Table Printed Yet?
05													(5) Increment Subscriptors.
06													(6) Print Trailer Information.
07													
08													
09													
10													
11													
12													
13													
14													
15													
16													
17													
18													
19													
20													
21													
22													
23													
24													
25													



CONTINUED

1 OF 2

System No.	System Title:		
Date Prepared:	Prepared By:	Revision Date:	Revised By:
Date Approved:	Approved By:		

INDEX NUMBER
CU022-06

ED P RECORD LAYOUT

YEAR-TO-DATE TRAFFIC TICKET TAPE CD012T1

RECORD KEY				PHYSICAL DESCRIPTION										LICENSE				FILLER		REPORT DATE	
ALERT NUMBER	TYPE (10)	TIC TYPE	SEQ	ORI	CRN	LNAME	FNAME	DOB	AGE	LICENSE NO.	ST	YR	VEH STY	LIC APT	FILLER	RCD TYPE	REPORT DATE				

RECORD KEY				STATISTICS							COURT		DISPOSITION							REPORT DATE								
ALERT NUMBER	TYPE (45)	TIC TYPE	SEQ	ORI	CRN	TICKET NO.	ORD. CODE	DATE OCC.	TIME OCC.	OFF. SER. NO.	UNIT	COURT CATE	CT	DISP DATE	DISP TP	MONTHS	DAYS	FINED	PAR/PROB	LENCH	PAR/PROB	TRAF SCHL	ASAP RESULTS	ASAP REFUSED	FILLER	RCD TYPE	REPORT DATE	

RECORD KEY				LOCATION OF OCC.										BEAT		CENSUS		FILLER		REPORT DATE								
ALERT NUMBER	TYPE (45)	TIC TYPE	SEQ	ORI	CRN	STR. NO.	APT. NO.	STREET NAME	SUF	FIL	DIR	CITY	ST	BEAT	RPT.	TRACK	BLOCK	LIC APT	FILLER	RCD TYPE	REPORT DATE							

[Empty Header Row]																												

[Empty Header Row]																												

INDEX NUMBER
CU022-07

DESCRIPTION OF COMPUTER REPORT OR LISTING

NEW REVISION—SHOW WHY IN 'COMMENTS'

DATE	ID NO.
------	--------

TITLE OF REPORT OR LISTING ANNUAL RETURN OF PERSONS CHARGED CU022L1		
PURPOSE OR FUNCTION IT SERVES TO PROVIDE AN ANNUAL REPORT OF THE TOTAL ARRESTS EFFECTED BY THE KANSAS CITY, MISSOURI POLICE DEPARTMENT PERSONNEL AND VARIOUS DISPOSITION INFORMATION. THIS REPORT IS SENT TO THE FEDERAL BUREAU OF INVESTIGATION IN JANUARY OF EACH YEAR. THE COUNTS COLLECTED INDICATE THE NUMBER OF ARRESTS MADE BY POLICE DEPARTMENT PERSONNEL FOR THE ENTIRE PREVIOUS YEAR.		
ORIGINATES FROM (SHOW COMPUTER RUN AND/OR MAIN FILE FROM WHICH DATA IS DEVELOPED AND SPAN OF TIME COVERED OR AGE OF DATA) INFORMATION NECESSARY TO PRODUCE THIS REPORT IS EXTRACTED PRIMARILY FROM THE YEAR-TO-DATE ARREST TAPE (CU001T1) AND PARTIALLY FROM THE YEAR-TO-DATE TRAFFIC TICKET TAPE (CD012T1).		
NO. COPIES	FREQUENCY ISSUED <input type="checkbox"/> DAILY <input type="checkbox"/> WEEKLY <input type="checkbox"/> MONTHLY <input checked="" type="checkbox"/> YEARLY	
DESIGN FORMAT APPROVED BY	DATE	RELEASE PERIOD

DETAILED EXPLANATION OF DATA (WHEN PRINTED CAPTIONS ARE NOT SELF EXPLANATORY)

CU022L1 IS A SINGLE PAGE REPORT THAT IS BROKEN DOWN VERTICALLY BY CLASSIFICATION OF ARRESTS, AND HORIZONTALLY BY TWO MAJOR DIVISIONS AND EIGHT LESSER DIVISIONS. THE FIRST HORIZONTAL DIVISION IS PERSONS CHARGED BY POLICE AND WITHIN THAT DIVISION THERE ARE THREE SUB-DIVISIONS:

A. ARRESTED, HELD FOR PROSECUTION
B. SUMMONED, NOTIFIED OR CITED
C. TOTAL PERSONS CHARGED

THE SECOND DIVISION IS DISPOSITION AND WITHIN THAT ARE THE FIVE FOLLOWING SUB-DIVISIONS:

A. ADULTS GUILTY OF OFFENSE CHARGED
B. ADULTS GUILTY OF LESSER OFFENSE
C. ACQUITTED OR OTHERWISE DISMISSED
D. REFERRED TO JUVENILE COURT JURISDICTION
E. OTHER

VERTICALLY THE CLASSIFICATION OF OFFENSE IS ONCE AGAIN BROKEN DOWN INTO THE PART I CLASSES AND PART II CLASSES WITH SUBTOTALS FOR EACH AND A GRAND TOTAL AT THE BOTTOM OF THE PAGE. ALL OF THE STATISTICS ON THIS REPORT ARE TAKEN FROM THE YEAR-TO-DATE ARREST TAPE WITH THE EXCEPTION OF THE CHARGE OF DRIVING UNDER THE INFLUENCE WHICH IS TAKEN FROM THE YEAR-TO-DATE TRAFFIC TICKET TAPE. TO FURTHER ILLUSTRATE TURN TO THE FOLLOWING PAGE AND ONCE AGAIN USING BURGLARY AS AN EXAMPLE AND READING FROM LEFT TO RIGHT IT IS SEEN THAT THERE WERE 138 PERSONS ARRESTED AND HELD FOR PROSECUTION, 0 WERE SUMMONED, NOTIFIED OR CITED AND THE SAME NUMBER CONTINUE ON REVERSE SIDE

COPY DISTRIBUTION

SENT TO	RETENTION	DISPOSITION
1 ONE (1) COPY TO THE DATA CONTROL UNIT FOR FILE, AND ONE (1) COPY TO THE FBI UNIFORM CRIME REPORTING DIVISION.		
2		
3		
4		
5		
6		

COMMENTS

INDEX NUMBER
CU022-08

NEW REVISION—SHOW WHY IN 'COMMENTS'

TITLE OF REPORT OR LISTING ANNUAL RETURN OF PERSONS CHARGED CU022L1		
PURPOSE OR FUNCTION IT SERVES		
ORIGINATES FROM (SHOW COMPUTER RUN AND/OR MAIN FILE FROM WHICH DATA IS DEVELOPED AND SPAN OF TIME COVERED OR AGE OF DATA)		
NO. COPIES	FREQUENCY ISSUED <input type="checkbox"/> DAILY <input type="checkbox"/> WEEKLY <input type="checkbox"/> MONTHLY <input type="checkbox"/>	
DESIGN FORMAT APPROVED BY	DATE	RELEASE PERIOD

COPY DISTRIBUTION

SENT TO	RETENTION	DISPOSITION
1		
2		
3		
4		
5		
6		

COMMENTS

INDEX NUMBER
CU022-09

DETAILED EXPLANATION OF DATA (WHEN PRINTED CAPTIONS ARE NOT SELF EXPLANATORY)

OF PERSONS ARRESTED (138) WERE SUBSEQUENTLY CHARGED FOR BURGLARY. CONTINUING ON THE SAME HORIZONTAL LINE IT IS SEEN THAT OF THE TOTAL ARRESTS THERE WERE 12 ADULTS GUILTY OF THE OFFENSE CHARGED, THERE WERE EIGHT (8) GUILTY OF A LESSER OFFENSE, THERE WERE 14 ACQUITTED OR OTHERWISE DISMISSED, THERE WERE 39 REFERRED TO JUVENILE COURTS, AND THERE WERE FIVE (5) BURGLARIES DISPOSED OF IN OTHER MANNERS.

CONTINUE ON REVERSE SIDE

CLASSIFICATION OF OFFENSE (1)	PERSONS CHARGED BY POLICE			DISPOSITION				
	ARRESTED (HELD FOR PROSECU- TION (2)	SUMMONED OR CITED (3)	TOTAL PERSONS CHARGED (4)	ADULTS GUILTY OF OFFENSE CHARGED (5)	OF LESSER OFFENSE (6)	ACQUITTED OR OTHERWISE DISMISSED (7)	REFERRED TO JUV. CRT. JURIS. (8)	OTHER (9)
PART I CLASSES								
1. CRIMINAL HOMICIDE:								
(A) MURDER AND NONNEGLIGENT MANSLAUGHTER	1	0	1	3	0	5	0	0
(B) MANSLAUGHTER BY NEGLIGENCE	1	0	1	0	0	0	1	0
2. FORCIBLE RAPE	13	0	13	2	1	9	0	0
3. ROBBERY	31	0	31	7	0	10	7	2
4. AGGRAVATED ASSAULT (RETURN B-4A-D)	66	0	66	1	0	6	10	2
5. BURGLARY --- BREAKING OR ENTERING	138	0	138	12	8	14	39	5
6. LARCENY --- THEFT (EXCEPT AUTO THEFT)	323	0	323	92	3	51	57	11
7. AUTO THEFT	64	0	64	6	1	9	23	0
TOTAL, PART I CLASSES	637	0	637	123	13	104	137	20
PART II CLASSES								
8. OTHER ASSAULTS (RETURN B-4E)	296	0	296	107	0	125	16	0
9. ARSON	4	0	4	0	0	1	4	0
10. FORGERY AND COUNTERFEITING	15	0	15	6	0	0	0	1
11. FRAUD	48	0	48	9	1	16	0	4
12. EMBEZZLEMENT	1	0	1	0	1	1	0	0
13. STOLEN PROPERTY; BUYING, RECEIVING, POSSESSING	18	0	18	0	0	1	2	0
14. VANDALISM	60	0	60	14	0	23	13	0
15. WEAPONS; CARRYING, POSSESSING, ETC.	61	0	61	32	0	15	2	1
16. PROSTITUTION AND COMMERCIALIZED VICE	84	0	84	31	0	22	2	0
17. SEX OFFENSES (EXCEPT 2 AND 16)	24	0	24	13	0	12	1	1
18. NARCOTIC DRUG LAWS	124	0	124	9	0	59	6	0
19. GAMBLING	183	0	183	75	0	7	3	0
20. OFFENSES AGAINST FAMILY AND CHILDREN	32	0	32	7	0	9	0	1
21. DRIVING UNDER THE INFLUENCE	34	0	34	0	0	0	9	0
22. LIQUOR LAWS	49	0	49	46	0	31	1	1
23. DRUNKENNESS	356	0	356	301	0	50	2	13
24. DISORDERLY CONDUCT	385	0	385	131	0	207	12	12
25. VAGRANCY	7	0	7	4	0	4	0	0
26. ALL OTHER OFFENSES (EXCEPT TRAFFIC)	949	0	949	137	0	661	97	11
TOTAL, PART II CLASSES	2730	0	2730	922	2	1244	170	45
GRAND TOTAL	3367	0	3367	1045	15	1348	307	65

TRAFFIC ARREST
PHYSICAL CUSTODY AND WARRANTS SERVED
CITATIONS ISSUED
TOTAL TRAFFIC ARREST

8,112
0
8,112

DATE MAY 1972

PREPARED BY

TITLE

CHIEF OF POLICE

INDEX NUMBER
CU022-10

END